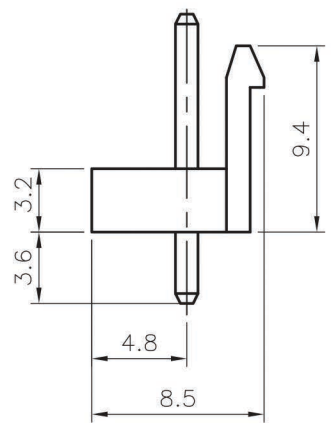
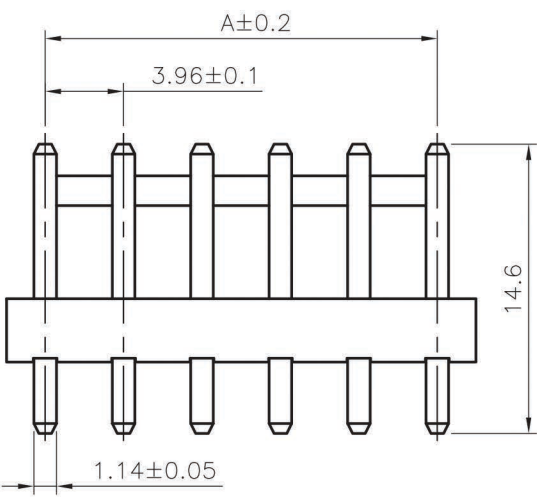
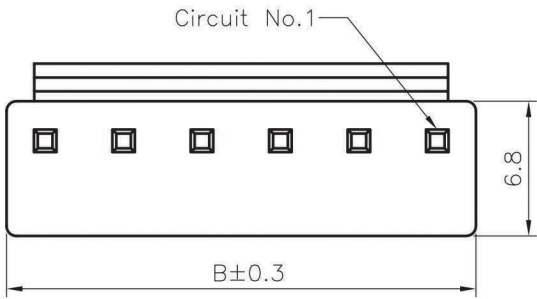


Recommend PCB Layout



■ SPECIFICATIONS

- Voltage Rating : 250V AC/DC
- Current Rating : 7A AC/DC
- Withstanding Voltage : 1500V AC/minute
- Insulation Resistance : 1000MΩ min
- Temperature Range : - 25°C to + 85°C
- Contact Resistance : 20mΩ max

■ WAFER

- Part No. : WTBC-xxS-TH2T-R
└ No. of poles
- Material : Contact : Brass, Tin Plated
 Base : Nylon 66 UL94V-0
- Q' ty: 1000 pcs./Bag

Poles	Dimension(mm)	
	A	B
2	3.96	7.86
3	7.92	11.82
4	11.88	15.78
5	15.84	19.74
6	19.80	23.70
7	23.76	27.66
8	27.72	31.62
9	31.68	35.58
10	35.64	39.54
11	39.60	43.50
12	43.56	47.46
13	47.52	51.42
14	51.48	55.38
15	55.44	59.34



GTK UK LTD.

PART NO		APPROVED BY	SCALE	UNIT	TOLERANCE		LTR	REVISION RECORD	DATE	LTR	REVISION RECORD	DATE
		WTBC-xxS-TH2T-R		林宗		mm	.0	±0.3	ECR	RoHS Compliant	06/04/01	
3.96mm Crimp Style Connectors Wafer		CHECKED BY	PROJ	VER NO.	.00	±0.2						
					.000	±0.1						
		DRAWN BY	DATE	SIZE	ALL	±				CUSTOMER		
		黄科源	2008/04/08	A4	ANGLE					ROHS COMPLIANT		
					0°	±						
					.0°	±						