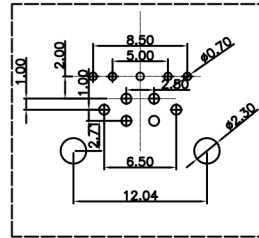
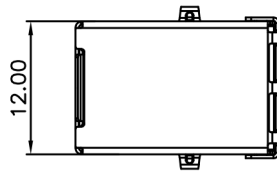
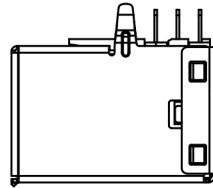
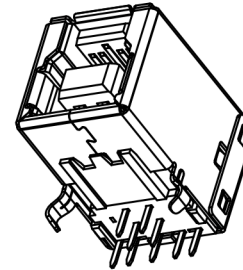


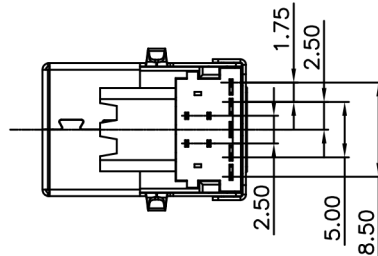
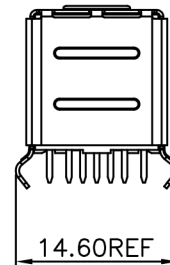
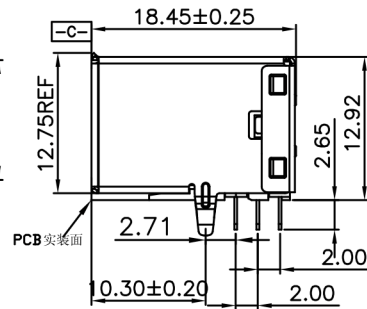
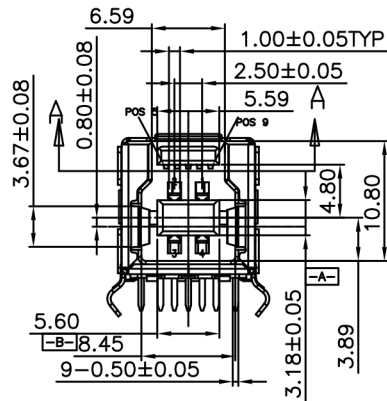
REV.	NO	ZONE	DESCRIPTION	DATE	DISIGN	APPROVE
A			NEW DESIGN	2014/02/18	Fanny	



PCB LAYOUT (TOP VIEW)


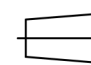


SPECIFICATIONS:
 Contact current Rating:
 1.8 Amperes for pin1&pin4.
 0.25 Amperes other contacts
 Dielectric Withstanding Voltage:AC 100V(RMS)
 Insulation resistance:100Megohms Minimum.
 Contact Resistance:
 30mΩ Max for pin1&pin4
 50mΩMax for other contacts
 Mechanical Characteristics:
 Mating Force:35 Newtons.Maximum
 Unmating Force:10 Newtons.Minimum.
 MATERIAL: 8N Min After Durability
 Housing: PBT+30%GF 94V-0 COLOR:BLUE
 Contact: copper alloy(T=0.25mm)
 Shell: Brass
 PLATING:
 Contact: Au Plated on contact area
 Tin Plated on solder area
 Nickel underplating over all
 Shell: Nickel Plated
 operating Temperature:-55'to+85'



Pin Number	Signal Name	Pin Number	Signal Name
1	VBUS	5	SSRX-
2	D-	6	SSRX+
3	D+	7	GND
4	GND	8	SSTX-
Shell	Shield	9	SSTX+

Part number	Contact plating
USBS-BT1E-3G0-R	gold flash
USBS-BT1E-3G3-R	30u" gold

UNLESS TOLERANCE		DRAW BY:	Fanny	2014/02/18
GENERAL	ANGLE			
.X ±0.38	X° ±3°	DESIGN BY:		
.XX ±0.25	.X° ±2°	CHECK BY:	Allen	2014/02/18
.XXX ±0.10	.XX° ±1°	APPROVE BY:		
 		SCALE	SHEET	UNIT
		1:1	1/1	mm

gtk **GTK UK LTD.**

PART NO: USBS-BT1E-3Gx-R

ITEM : USB 3.0 Type B receptacle, R/A, through-hole

DRW NO: _____ REV:A0