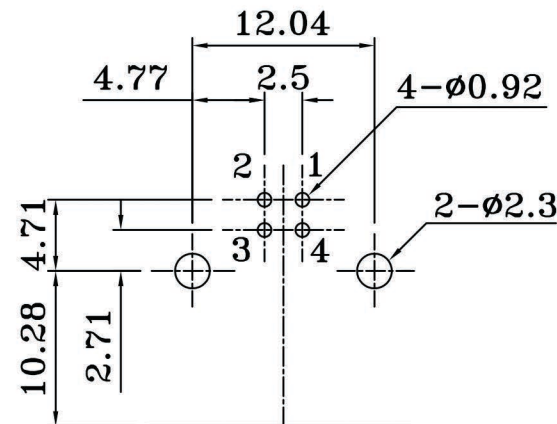


REV	ZONE	REVISION	DATE



PCB EDGE

(COMPONENT SIDE)

PCB LAYOUT

NO.	NAME	MATERIAL	FINISH	REMARK	Q'TY
1	HOUSING	P.B.T. G.F.	WHITE		1
2	PIN TERM.	PHOS. BRONZE T:0.25	GOLD/TIN PLATED	Gold:1~3 μ ''; NI:40~60 μ ''; TIN:120 μ '' (100% pure Tin of lead free plating)	4
3	SHELL	BRASS T:0.3	NICKEL PLATED	NI:2~3u	1

ROHS COMPLIANT



GTK UK LTD.

COMPUTER NO.

UNIT

SCALE

PART NAME

mm

2:1

USB. TYPE B
FLAT 90° DIP

APPD.

CKD.

DWG.

DATE

TOLERANCE

PART NO.

REV.

MODEL

PAGE 1 OF 1

TINA

17-10-01

±0.3

USBS-BT1-R

A