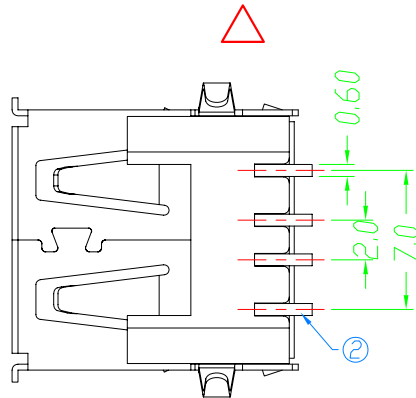
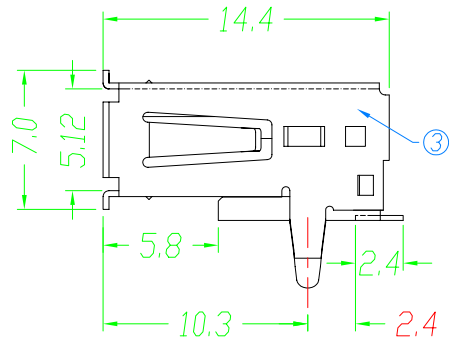
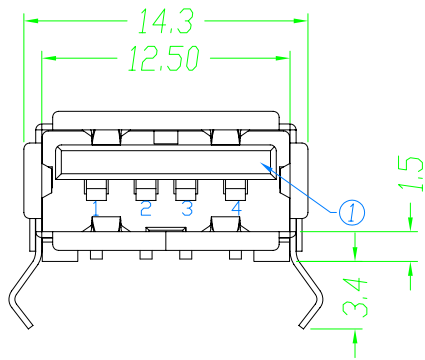


REV	ZONE	REVISION	DATE
A1	C4	Dimension modify: 5.3mm delete. Add a new position : 2.4mm dimension.	2019/7/19



Specification:

Contact Resistance: 30m Ohm Max.

Insulation Resistance: 1000M Ohm Min. At 500VDC.

Rated Voltage And Current: 1.5A At 250VAC Minimum.

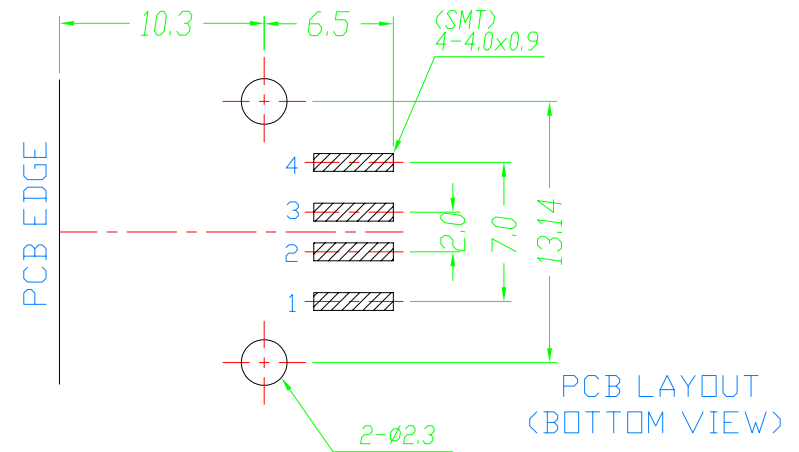
Dielectric Withstanding Voltage:

750V AC (rms) for 1 Minute(Rev. 1.1)

Durability (Life Test): 1500 Cycles

Insertion Force: 35 Newton Maximum.

Extraction Force: 10 Newton Minimum.



Green Product

NO.	NAME	MATERIAL	FINISH	Q'TY	REMARK
1	HOUSING	NYLON PA9T G.F.	BLACK	1	
2	TERMINAL	PHOS. BRONZE T:0.25	GOLD/TIN PLATED	4	Gold:1~3u"; NI:40~60u"; TIN:120u" (100% pure Tin of lead free plating)
3	SHELL	BRASS T:0.3	NICKEL PLATED	1	Ni:80~120u"



COMPUTER NO.

UNIT

SCALE

PART NAME

mm

1:1

USB A TYPE FLAT 4PIN SMT

APPD.

CKD.

DWG.

DATE

TOLERANCE

PART NO.

REV.

MODEL

PAGE 1 OF 1

TINA

19.07.19

X. ±0.38
.X ±0.25
.XX ±0.13
.XXX ±0.05

USBS-AT1SM-R

A1