

REV	ZONE	REVISION	DATE

Specification:

Contact Resistance: 30m Ohm Max.

Insulation Resistance: 1000M Ohm Min. At 500VDC.

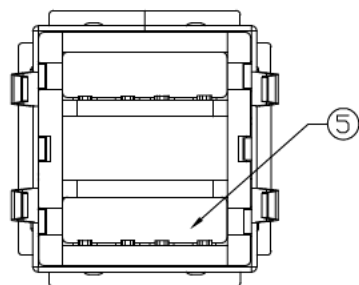
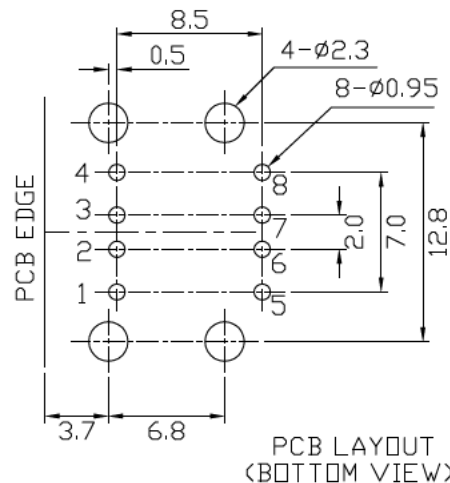
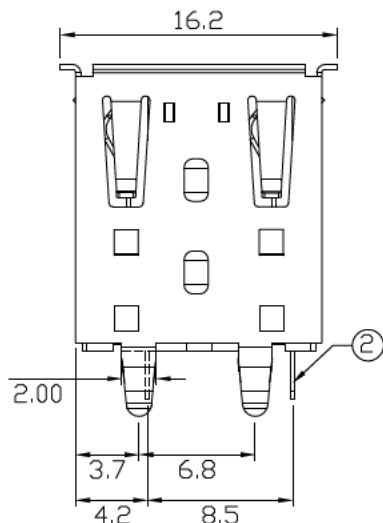
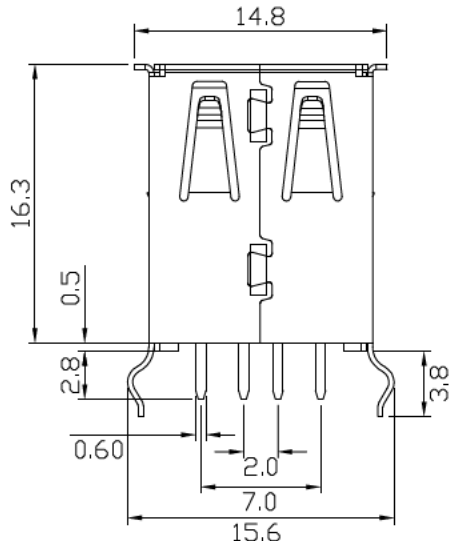
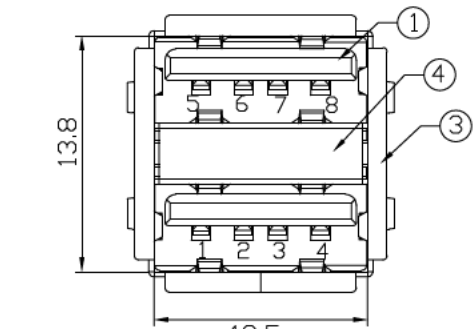
Rated Voltage And Current: 1.5A At 250VAC Minimum.

Dielectric Withstanding Voltage:750V AC (rms) for 1 Minute(Rev. 1.1).

Durability (Life Test): 1500 Cycles.

Insertion Force: 35 Newton Maximum.

Extraction Force: 10 Newton Minimum.



NO.	NAME	MATERIAL	FINISH	Q'TY	REMARK
1	HOUSING	PBT G.F.	BLACK	1	
2	PIN TERM.	PHOS. BRONZE,T:0.25	GOLD-TIN PLATED	8	Gold:1~3u"; NI:40~60u"; TIN:120u" (100% pure Tin of lead free plating)
3	SHELL	BRASS,T:0.3	NICKEL PLATED	1	NI:80~120u"
4	SPRING CLIP	BRASS,T:0.3	NICKEL PLATED	1	NI:80~120u"
5	SPEACER	P.E.	NATURAL	2	



GTK UK Ltd

PAGE 1 OF 1

COMPUTER NO.

UNIT

SCALE

PART NAME

mm

1:1

DUAL USB A TYPE VERTICAL 8 PIN DIP

APPD.

CKD.

DWG.

DATE

TOLERANCE

PART NO.

REV.

MODEL

TINA

11-05-10

X. ±0.38
X ±0.25
.XX ±0.13
.XXX ±0.05

USB-D-AT2-B-R

A0