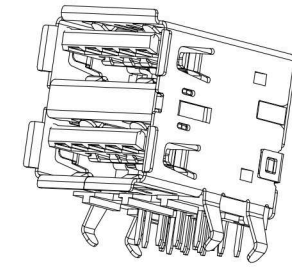
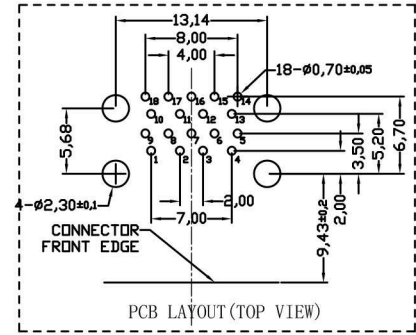
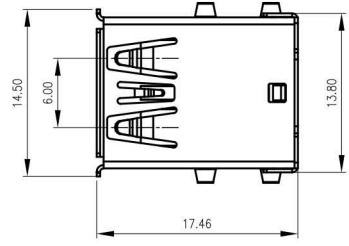
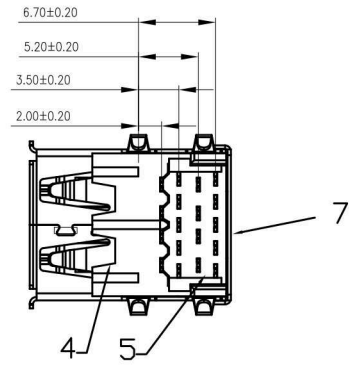
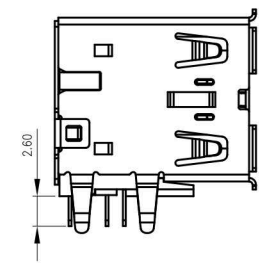
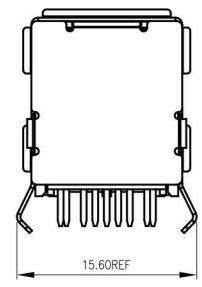
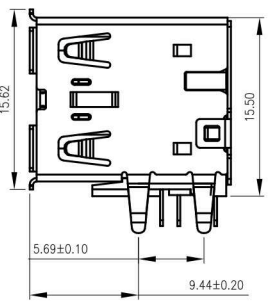
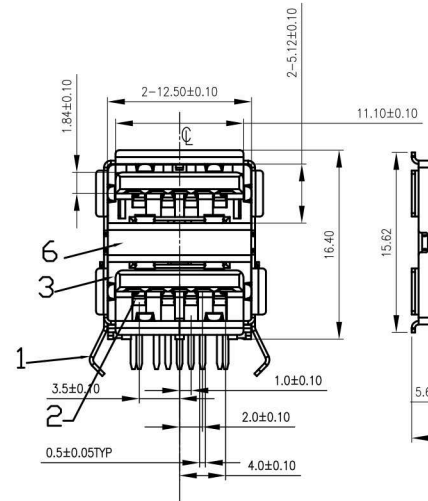


REV.	NO	ZONE	DESCRIPTION	DATE	DISIGN	APPROVE



SPECIFICATIONS:
 Contact current Rating:
 1.8 Amperes for pin1&pin4.
 0.25 Amperes other contacts
 Dielectric Withstanding Voltage:AC 100V(RMS)
 Insulation resistance:100Megohms Minimum.
 Contact Resistance:
 30mΩ Max for pin1&pin4
 50mΩ Max for other contacts
 Mechanical Characteristics:
 Mating Force:35 Newtons.Maximum
 Unmating Force:10 Newtons.Minimum.
MATERIAL: 8N Min After Durability
 Housing: PBT+30%GF 94V-0 COLOR:BLUE
 Contact: copper alloy(T=0.25mm)
 Shell: Brass
PLATING:
 Contact: Au Plated on contact area
 Tin Plated on solder area
 Nickel underplating over all
 Shell: Nickel Plated
 operating Temperature:-55°to+85°



Pin Number	Signal Name	Pin Number	Signal Name
1/10	VBUS	5/14	SSRX-
2/11	D-	6/15	SSRX+
3/12	D+	7/16	GND
4/13	GND	8/17	SSTX-
Shell	Shield	9/18	SSTX+

Part number	Contact plating
USBD-AT1E-3G0-R	gold flash
USBD-AT1E-3G3-R	30u" gold

UNLESS TOLERANCE		DRAW BY: Wina	2011/10/26	GTK UK LTD. PART NO: USBD-AT1E-3Gx-R ITEM : USB 3.0 Type A dual port receptacle. R/A, through hole
GENERAL	ANGLE			
.X ±0.25	±2.00°	CHECK BY:		
.XX ±0.20		APPROVE BY:		
.XXX ±0.10		SCALE	SHEET	
		1:1	1/1	mm
DRW NO:			REV:A	