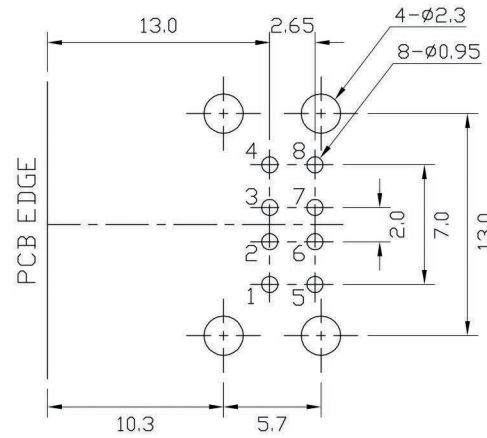
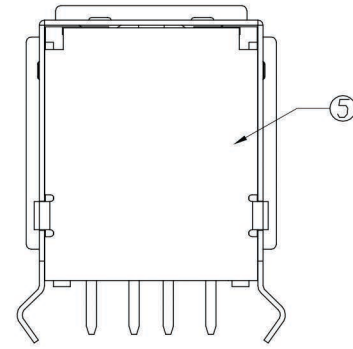
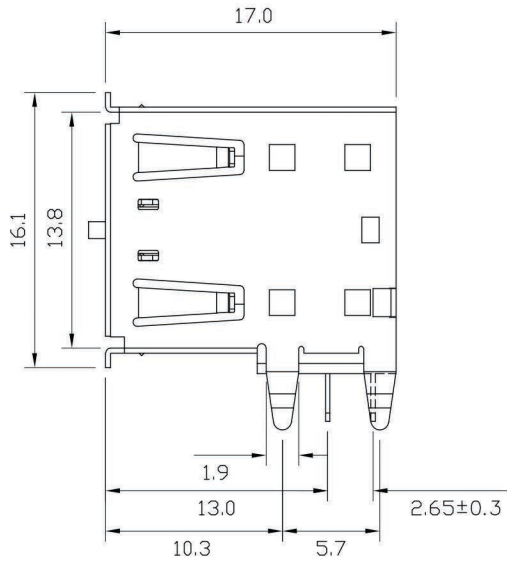
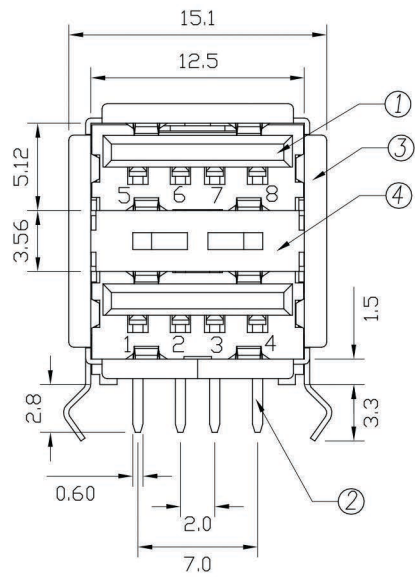


REV	ZONE	REVISION	DATE



PCB LAYOUT (BOTTOM VIEW)

Specification:

- Contact Resistance: 30m Ohm Max.
- Insulation Resistance: 1000M Ohm Min. At 500VDC.
- Rated Voltage And Current: 1.5A At 250VAC Minimum.
- Dielectric Withstanding Voltage: 750V AC (rms) for 1 Minute (Rev. 1.1).
- Durability (Life Test): 1500 Cycles.
- Insertion Force: 35 Newton Maximum.
- Extraction Force: 10 Newton Minimum.

NO.	NAME	MATERIAL	FINISH	Q'TY	REMARK
1	HOUSING	PBT G.F.	WHITE	1	UL 94V-0
2	PIN TERM.	PHOS. BRONZE, T:0.25	GOLD-TIN PLATED	8	Gold1~3u", Ni:40~60u", TIN:120u" (100% pure Tin of lead free plating)
3	SHELL	BRASS, T:0.3	NICKEL PLATED	1	Ni:80~120u"
4	SPRING CLIP	BRASS, T:0.3	NICKEL PLATED	1	Ni:80~120u"
5	REAR SHELL	SPCC, T:0.3	NICKEL PLATED	1	Ni:80~120u"

ROHS COMPLIANT



COMPUTER NO.			UNIT	SCALE	PART NAME	
APPD.	CKD.	DWG.	mm	SCALE	DUAL PORT USB TYPE A	
			DATE	TOLERANCE	PART NO.	REV.
			DATE	X. ±0.38 .X ±0.25 .XX ±0.13 .XXX ±0.05	USBD-AT1-R	REV