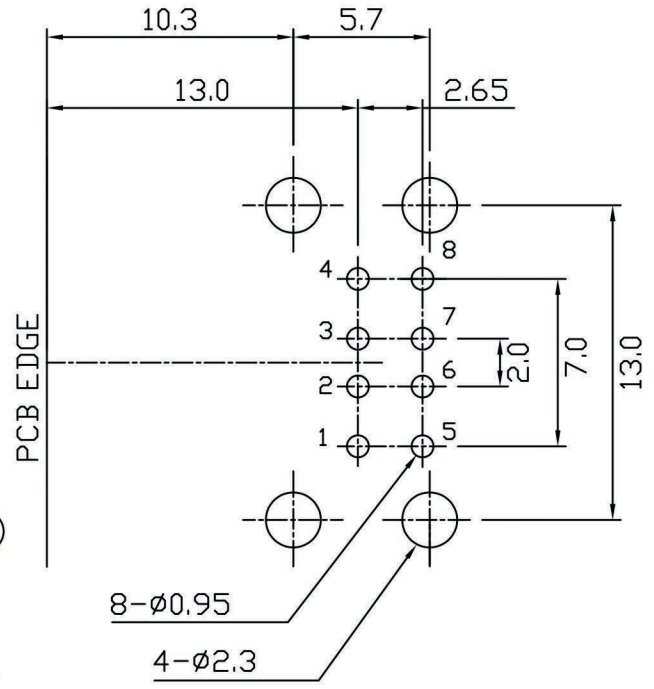
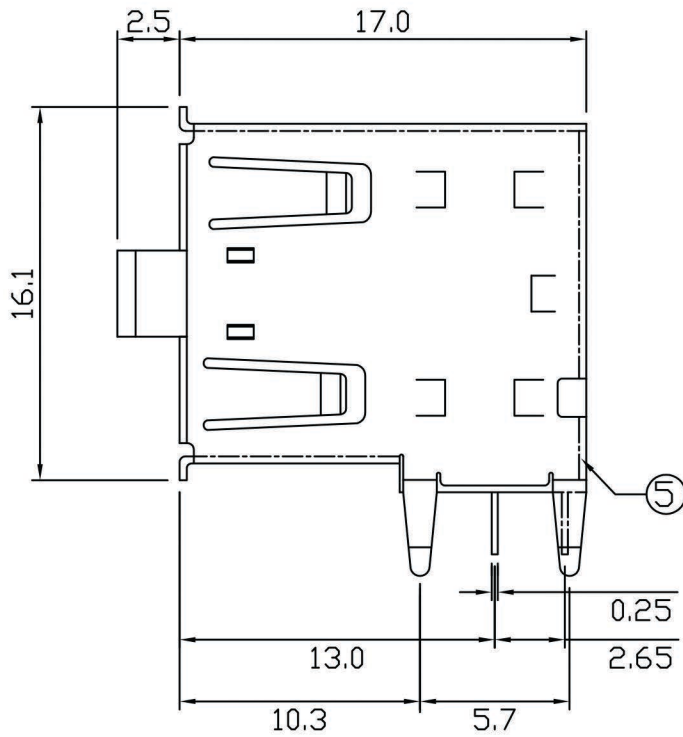
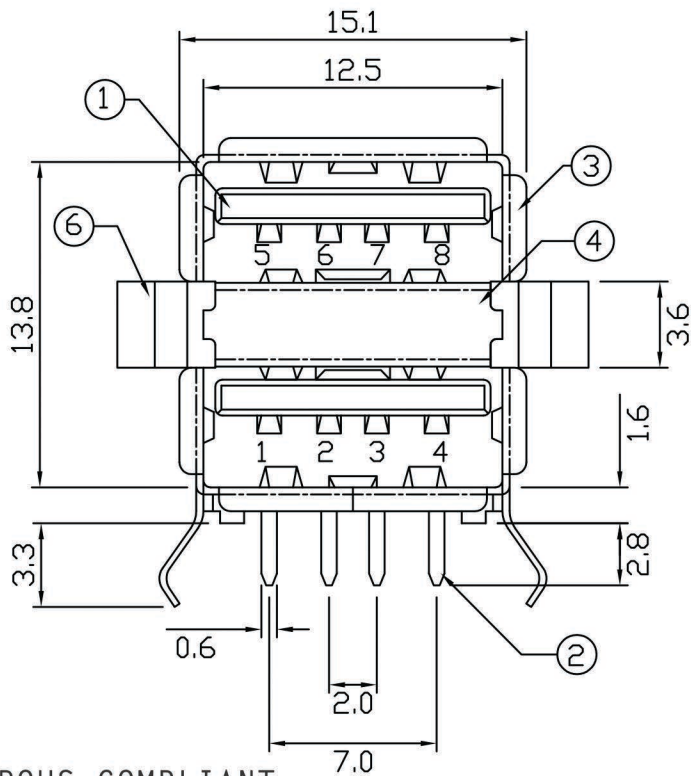


NO.	NAME	MATERIAL	FINISH	Q'TY	REMARK
1	HOUSING	P.B.T.	BLACK	1	PBT 5630-200
2	PIN TERM.	PHOS. BRONZE	GOLD-TIN PLATED	8	Gold:1~3u" ; Ni:40~60u" ; TIN:120u" (100% pure Tin of lead free plating)
3	SHELL	BRASS,0.3mm	NICKEL PLATED	1	Ni:80~120u"
4	SHELL	BRASS,0.3mm	NICKEL PLATED	1	Ni:80~120u"
5	SHELL	SPCC,0.3mm	NICKEL PLATED	1	Ni:80~120u"
6	GROUND SPRING	STAINLESS,0.1mm		1	

REV	ZONE	REVISION	DATE



ROHS COMPLIANT



MODEL	PAGE 1 OF 1	COMPUTER NO.			UNIT	SCALE	PART NAME	
		APPD.	CKD.	DWG.	DATE	TOLERANCE	PART NO.	REV.
				TINA	01-09-08	±0.3	USB-D-AT1-B-G-R	A