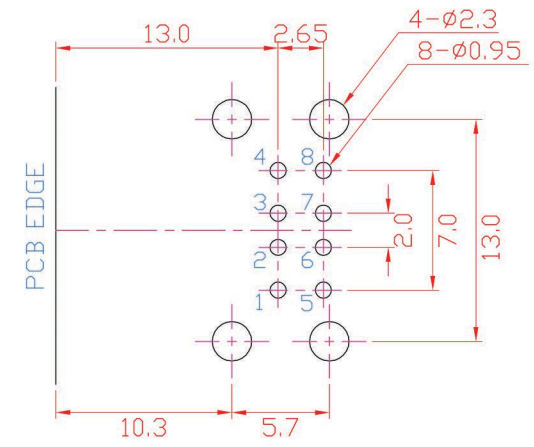
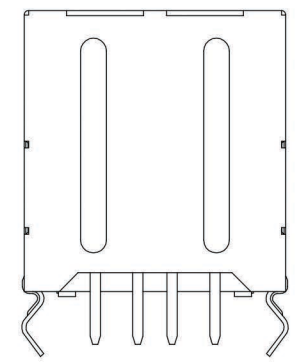
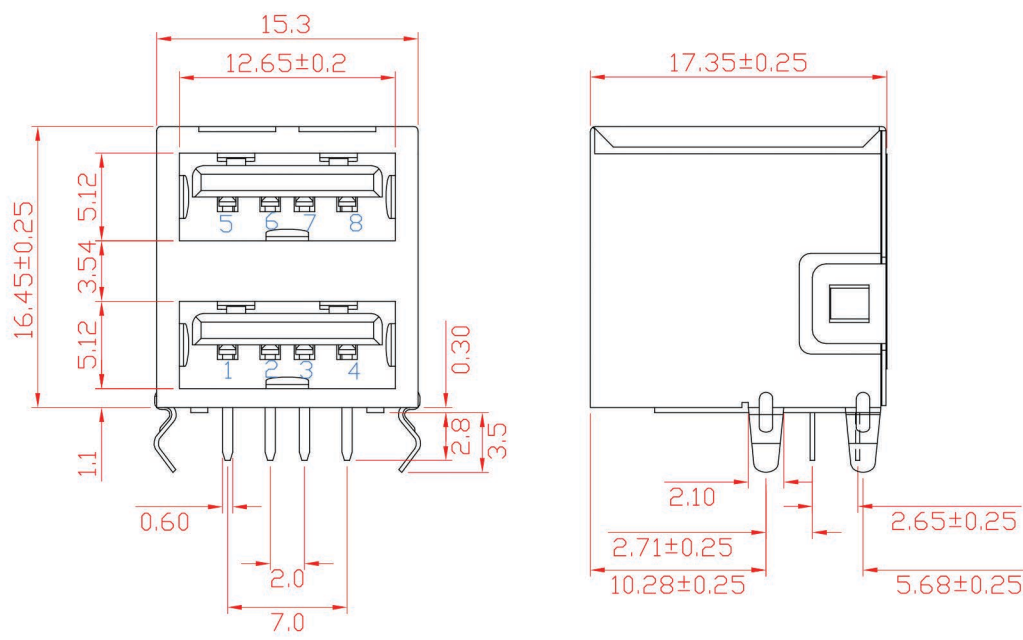
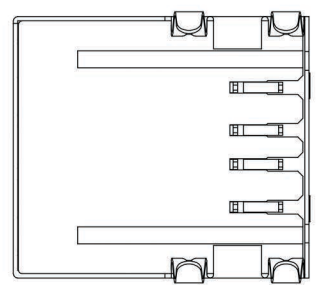


REV	ZONE	REVISION	DATE



PCB LAYOUT
(BOTTOM VIEW)



Specification:

- Contact Resistance: 30m Ohm Max.
- Insulation Resistance: 1000M Ohm Min. At 500VDC.
- Rated Voltage And Current: 1.5A At 250VAC Minimum.
- Dielectric Withstanding Voltage: 500V AC (rms) for 1 Minute(Rev. 2.0).
- Durability (Life Test): 1500 Cycles.
- Insertion Force: 35 Newton Maximum.
- Extraction Force: 10 Newton Minimum.

ROHS COMPLIANT

NO.	NAME	MATERIAL	FINISH	Q'TY	REMARK
1	HOUSING	PBT G.F.	BLACK	1	
2	PIN TERM.	PHOS. BRONZE,T:0.25	GOLD-TIN PLATED	8	Gold:30u"; Ni:40~60u"; TIN:120u" (100% pure Tin of lead free plating)
3	SHELL	BRASS,T:0.3	NICKEL PLATED	1	NI: 80~120u"



			COMPUTER NO.		UNIT	SCALE	PART NAME		
			APPD.		CKD.	DWG.	DATE	TOLERANCE	PART NO.
MODEL	PAGE 1 OF 1				TINA	10-05-10	X. ±0.38 .X ±0.25 .XX ±0.13 .XXX ±0.05	USB-D-AN1-B-2.0-R	REV