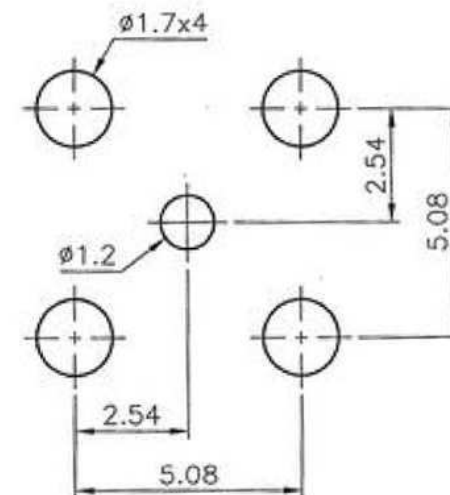
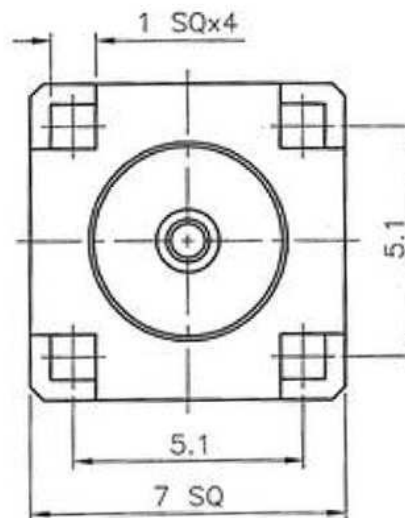
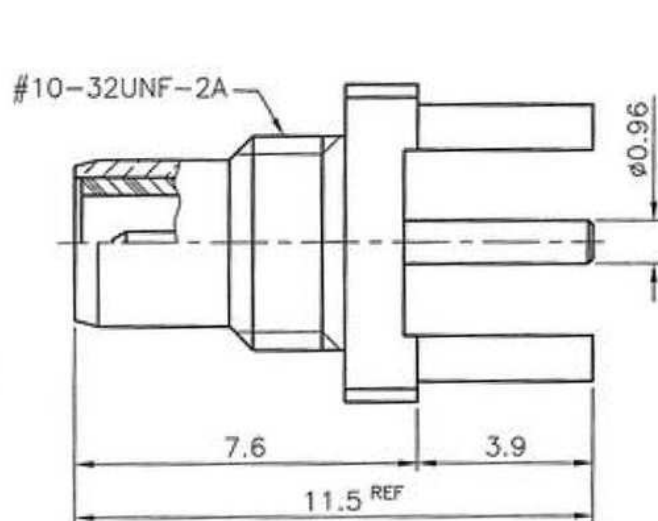


REVISIONS		DESCRIPTION\DATE
ISS	SYMBOL	

FOR CUSTOMER


REMARK: RoHS COMPLIANT



P.C.B. LAYOUT

NOTES: FINISH (PLATING THICKNESS IN MICRO-INCHES)

1. BRASS PER QQ-B-626
2. GOLD PL 3 MIN OVER NICKEL PL 70 MIN THICK OVER COPPER STRIKE
3. GOLD PL 30 MIN OVER NICKEL PL 70 MIN THICK OVER COPPER STRIKE
4. TEFLON MIL-P-19468

					DIMENSIONS ARE IN MILLIMETERS				PART NO.		 GTK UK LTD.	
					UNLESS OTHERWISE SPECIFIED TOLERANCES (一般公差)				APPROVED	DATE		
					0.5~6 = ±0.2				<i>A wk</i>	08/15/06'	SMC PCB MOUNT JACK	
					>6~30 = ±0.4				CHECKED	DATE	DRAWING NO.	
					>30~120 = ±0.6				<i>A wk</i>	08/15/06'	SMC-J2T-GG25-R	
					>120~315 = ±1				DRAWN	DATE		
					>315~1000 = ±1.6				<i>fwl</i>	08/15/06'		
					ANGLES(角度) = ±5°							
NO.	DESCRIPTION	MATERIAL	FINISH	Q'TY	DRAWING NO.	SCALE	6/1	ISSUE	A1			
	CONTACT PIN		NOTE 1	NOTE 3								
	INSULATOR		NOTE 4	WHITE								
	BODY		NOTE 1	NOTE 2								