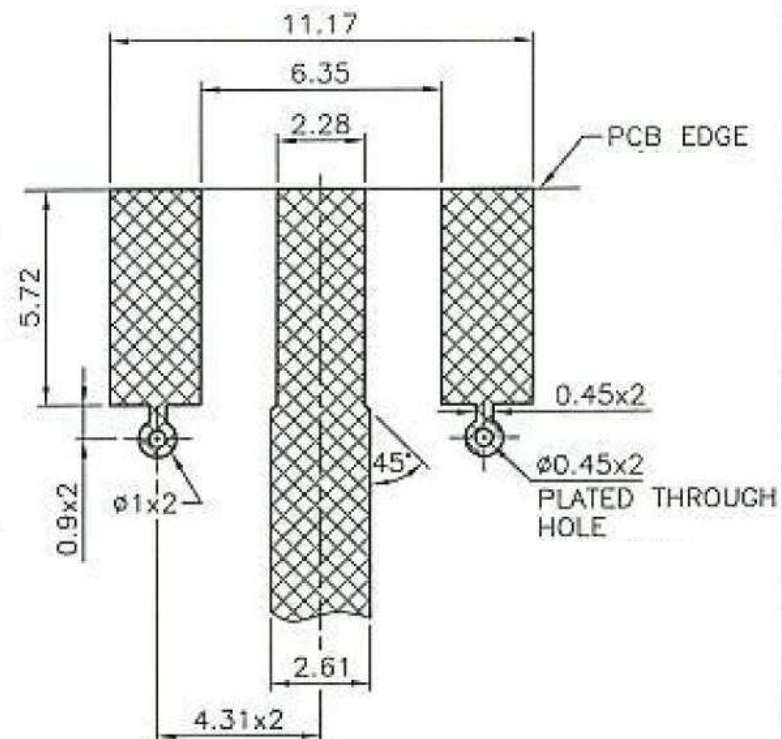
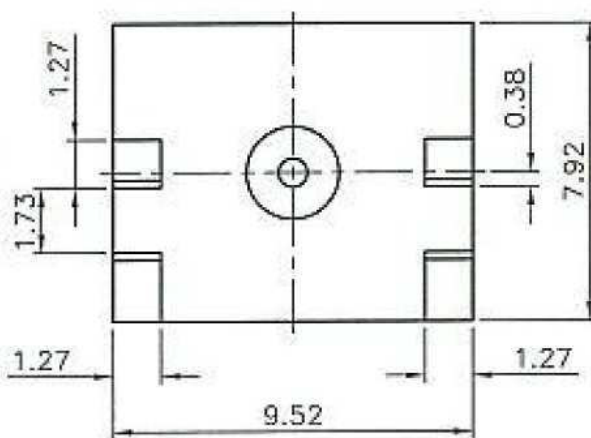
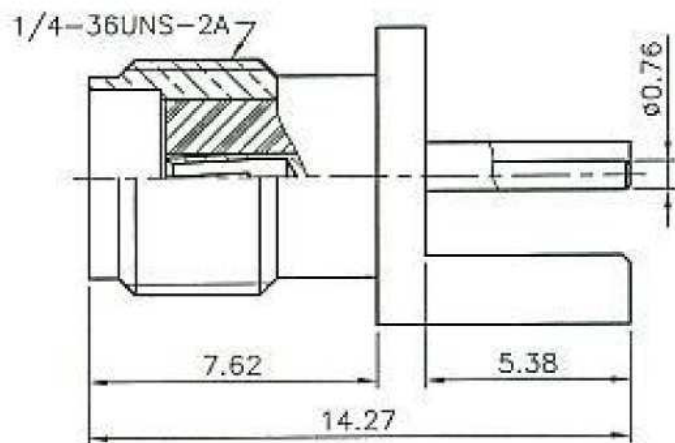


FOR CUSTOMER




NOTES: FINISH (PLATING THICKNESS IN MICRO-INCHES)

1. BRASS PER QQ-B-626
2. GOLD PL 3 MIN THICK OVER NICKEL PL 70 MIN THICK OVER COPPER STRIKE
3. GOLD PL 30 MIN THICK OVER NICKEL PL 70 MIN THICK OVER COPPER STRIKE
4. TEFLON MIL-P-19468
5. BERYLLIUM COPPER PER QQ-C-530

PCB THICKNESS 1.57mm
MATERIAL: DOUBLE-SIDED FR 4 WITH
1 oz. COPPER ON BOTH SIDES

RECOMMENDED MOUNTING PATTERN

RoHS COMPLIANT

| | | | | | DIMENSIONS ARE IN MILLIMETERS | | | PART NO. | |
|-------------|-------------|----------|--------|------|--|-----|-------|---------------|---|
| | | | | | UNLESS OTHERWISE SPECIFIED TOLERANCES (一般公差) | | | APPROVED DATE | |
| | | | | | 0.5~6 = ±0.2 | | | DATE | |
| | | | | | >6~30 = ±0.4 | | | 06/28/10' | |
| | | | | | >30~120 = ±0.6 | | | CHECKED DATE | |
| | | | | | >120~315 = ±1 | | | 06/28/10' | |
| | | | | | >315~1000 = ±1.6 | | | DRAWN DATE | |
| | | | | | ANGLES(角度) = ±5' | | | 06/28/10' | |
| CONTACT PIN | NOTE 5 | NOTE 3 | | | SCALE | 5/1 | ISSUE | A2 |  GTK UK LTD. TITLE SMA END LAUNCH JACK (FOR 1.57 BOARD THICKNESS) DRAWING NO. SMA-JE1-GG25-R |
| INSULATOR | NOTE 4 | WHITE | | | | | | | |
| BODY | NOTE 1 | NOTE 2 | | | | | | | |
| NO. | DESCRIPTION | MATERIAL | FINISH | Q'TY | DRAWING NO. | | | | |