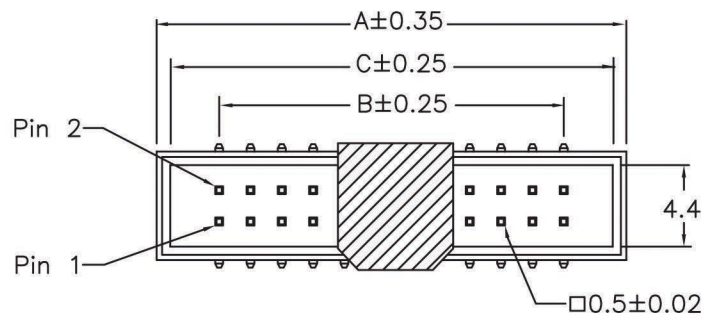


REV.	SPECIFICATION	ECN NO.	APPD.



Material:

Housing: High Temperature Plastic UL94V-0, black

Contacts: Copper Alloy, gold plated

Electrical Characteristics:

Current Rating: 1 AMP.

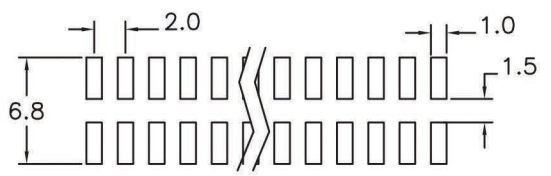
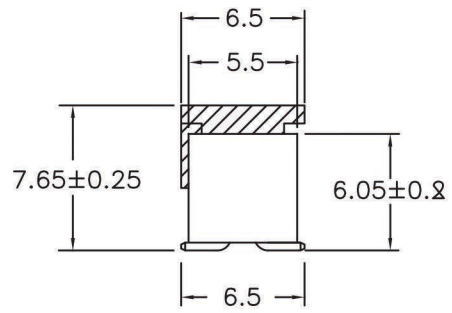
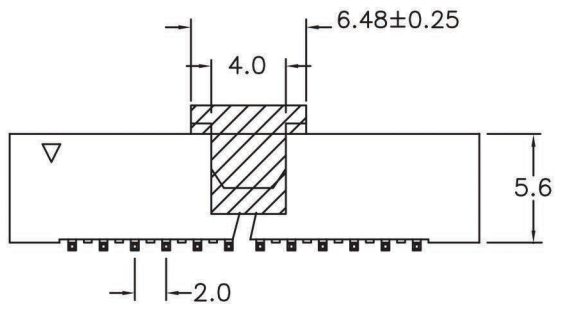
Dielectric Withstanding Voltage: AC 500V For 1 minute.

Insulator Resistance: 1000MΩ min. at DC 500V.

Contact Resistance: 20mΩ max. at DC 100mA.

Operating Temperature: -40°C~+105°C.

***RoHS Compliant**



P.C. Board Layout

Order Code:

SCPxxGS6-SMTxx-R


— Packaging:

Blank = Tray (no tab)

TR = T+R (with tab)

— No. of positions (06 - 68)

Position	Dimension		
	A	B	C
6	13.20	4.00	12.10
8	15.20	6.00	14.10
10	17.20	8.00	16.10
12	19.20	10.00	18.10
14	21.20	12.00	20.10
16	23.20	14.00	22.10
20	27.20	18.00	26.10
24	31.20	22.00	30.10
26	33.20	24.00	32.10
30	37.20	28.00	36.10
32	39.20	30.00	38.10
34	41.20	32.00	40.10
40	47.20	38.00	46.10
44	51.20	42.00	50.10
50	57.20	48.00	56.10
60	67.20	58.00	66.10
64	71.20	62.00	70.10
68	75.20	66.00	74.10

Tolerances	Dwg. No.	3112D01006	Title:		 GTK UK LTD. P/N: SCPxxGS6-SMTxx-R SHEET 1/1 Ver.No. A2
x = ±0.50	Projection		Box Header 2.0mmx2.0mm		
.x = ±0.25	Unit	mm	Scale	1:1	
.xx = ±0.15	Drawn By	ZJJ 11/08'11	Q535	SMD Type	