

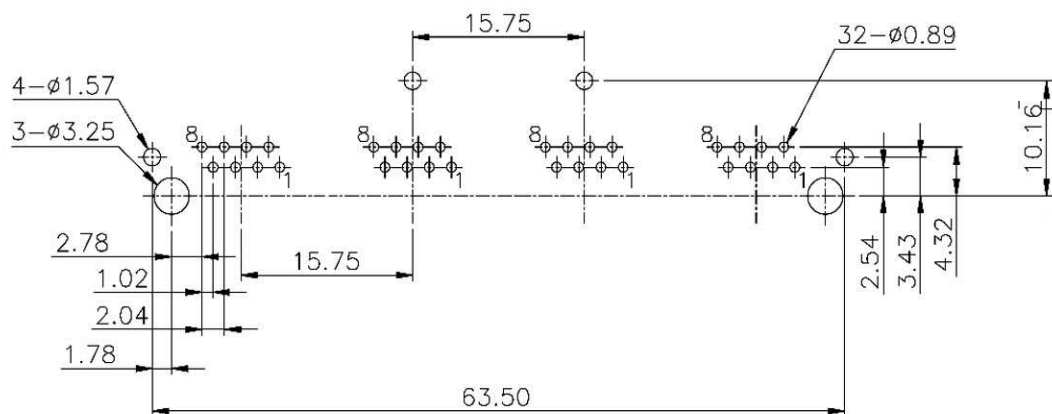
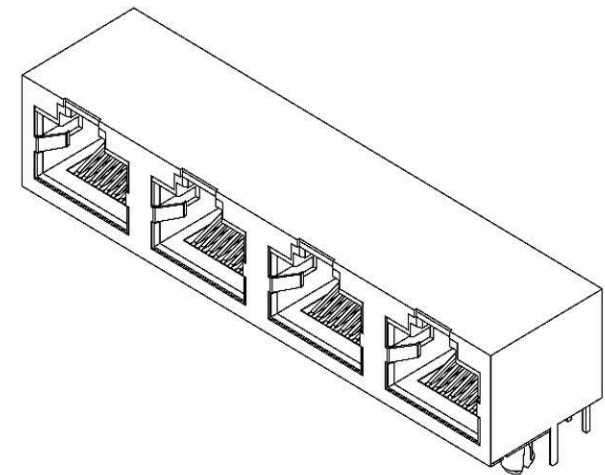
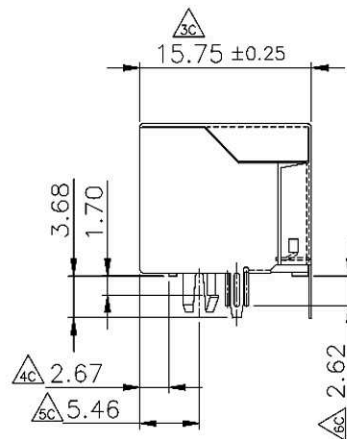
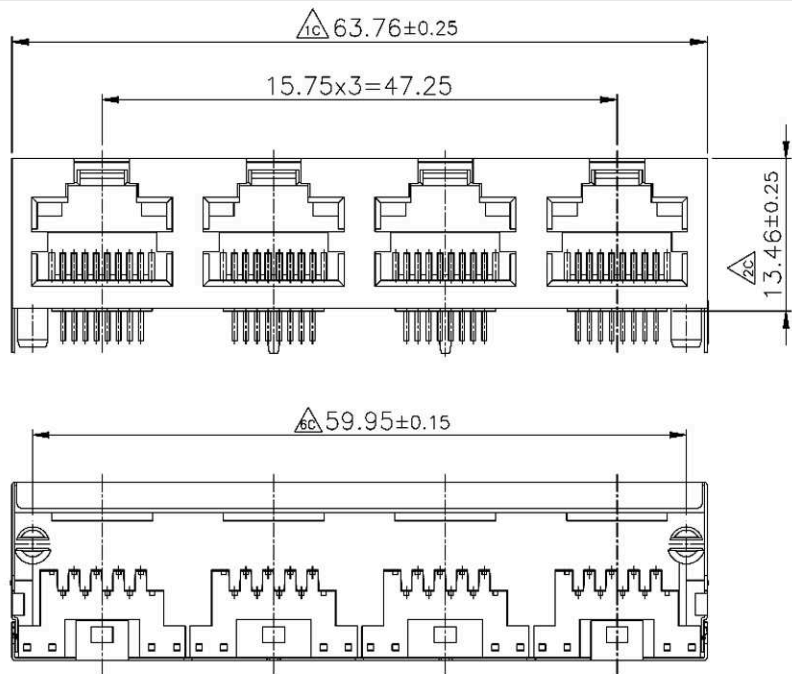
P.C.B LAYOUT/TOP VIEW

RoHS COMPLIANT

MATERIALS

- PLASTIC HOUSING; ENGINEERING THERMOPLASTIC, UL94V-0. BLACK
- CONTACT MATERIAL; PHOSPHOR BRONZE
- CONTACT PLATING; 6u" GOLD OVER NICKEL IN CONTACT AREA, TIN PLATING OVER NICKEL IN SOLDER AREA
- SHIELD; BRASS, NICKEL ALLOY PLATING

設計 DR. Kathy Chung 2007-04-26	核准 APPD. Jerry 2007-04-26	容許公差 .XXX ±0.10 .XX ±0.25 .X ±0.38 X ±0.50 ANG ±3°	TOLERANCE	品名 2 Port 8P8C Modular ARTICLE Jack, Shielded
版本說明 REVISION NOTE				圖號 MTSG2-8810SNU-R DWG NO.
				單位 UNIT mm 比例 SCALE 2/1 張數 SHEET 1/2 版本 REV. B



P.C.B LAYOUT/TOP VIEW

MATERIALS

PLASTIC HOUSING;

CONTACT MATERIAL;
CONTACT PLATING;

SHIELD;

ENGINEERING THERMOPLASTIC,
UL94V-0. BLACK

PHOSPHOR BRONZE

6u" GOLD OVER NICKEL IN CONTACT AREA,
TIN PLATING OVER NICKEL IN SOLDER AREA

BRASS, NICKEL ALLOY PLATING

設計 DR. Kathy Chung 93-05-10	核准 APPD. Jerry 93-05-10	容許公差 .XXX ± 0.10 .XX ± 0.25 .X ± 0.38 X ± 0.50 ANG $\pm 3^\circ$	TOLERANCE	品名 4-port 8P8C modular ARTICLE jack, shielded.
版本說明		REVISION NOTE		圖號 MTSG4-8810SNU-R
DWG NO.		DWG NO.		單位 UNIT
mm		比例 SCALE	張數 SHEET	版本 REV.
2/1		2/2	C	

gtk GTK UK LTD.

