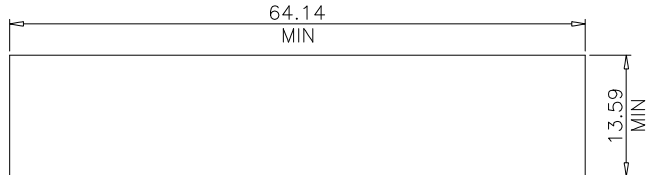
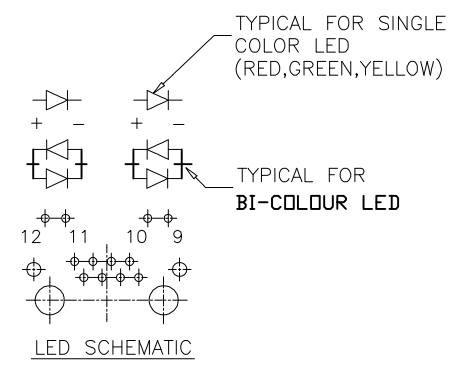
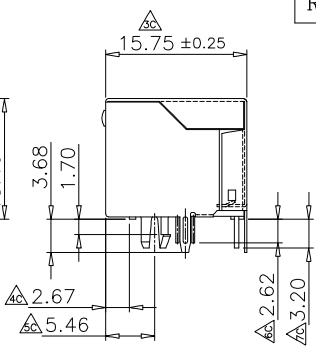


P.C.B LAYOUT/TOP VIEW

RoHS COMPLIANT



**MATERIALS:**  
 PLASTIC HOUSING: ENGINEERING THERMOPLASTIC  
 FLAMMABILITY RATING UL 94V-0.  
 CONTACTS: PHOSPHOR BRONZE  
 PLATING: GOLD PLATING OVER NICKEL IN CONTACT.  
 TIN PLATING OVER NICKEL IN SOLDER AREA  
 SHIELD: BRASS PLATING NICKEL ALLOY



TITLE 4 PORT MODULAR JACK WITH LED, SHIELDED WITH GROUNDING TABS		OPEN TOLERANCES Fraction Decimals Angles x ±0.50 ±1° x.x ±0.38 x.xx ±0.25 x.xxx ±0.10		DWG. Kate 11/02/10'		
PART NO. MTCL-488XXSB-R	REV. B	SCALE 2:1	SHEET 1 of 2	CKD. Justin 11/02/10'	B	Update Drawing 11/02/10'
REF. NO.	QA. NO.			APPD. Justin 11/02/10'	A	New Release 06/09/09'
					REV.	DESCRIPTION DATE

Order Information  
 MTCL-488XXSB-R

selective gold Plating

0: Gold Falsh  
 1: 6u" Gold  
 2: 15u" Gold  
 3: 30u" Gold  
 4: 50u" Gold

LED Code

LED Code

CODE	LED 2<LEFT>	LED 1<Right>
0	NO LED	NO LED
1	Yellow	Green
2	NO LED	Green
3	Green	Yellow
4	Green	Green
5	Yellow	Yellow
6	Yellow/Green	Yellow/Green
7	Green /RED	Green /RED
8	Yellow/Green	Yellow
9	Green/Orange	Yellow

FURTHER LED OPTIONS AVAILABLE ON  
 REQUEST



TITLE 4 PORT MODULAR JACK WITH LED, SHIELDED WITH GROUNDING TABS		 <small>OPEN TOLERANCES</small> <small>Fraction Decimals Angles</small> <small>x ±0.50 ± 1°</small> <small>x.X ±0.38</small> <small>x.XX ±0.25</small> <small>x.XXX ±0.10</small>		DWG. Kate 11/02/10'		
PART NO. MTCL-488XXSB-R	REV. B	SCALE 2 : 1	SHEET 2 of 2	CKD. Justin 11/02/10'		
REF. NO.	QA. NO.		APPD. Justin 11/02/10'	B Update Drawing 11/02/10'		
				A New Release 06/09/09'		
				REV. DESCRIPTION DATE		