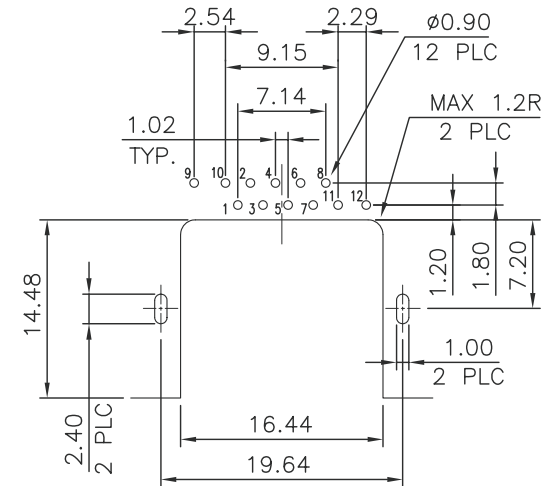
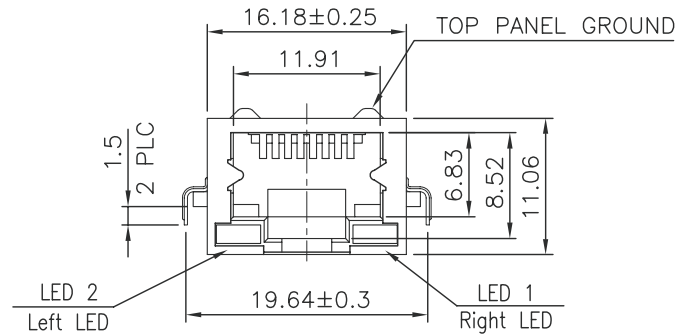
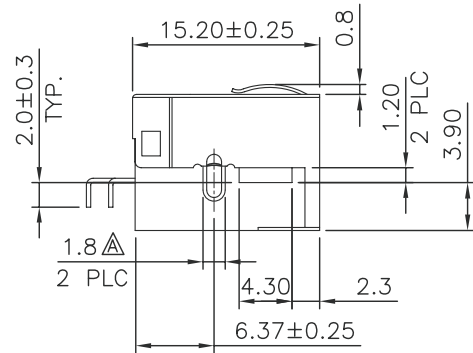


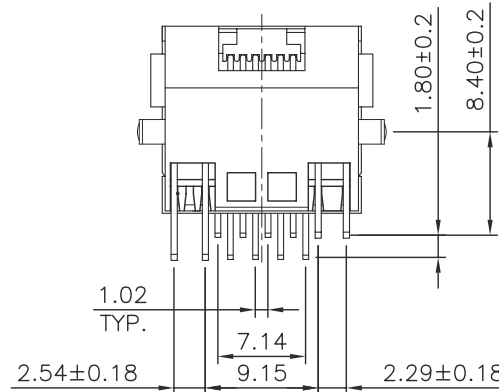
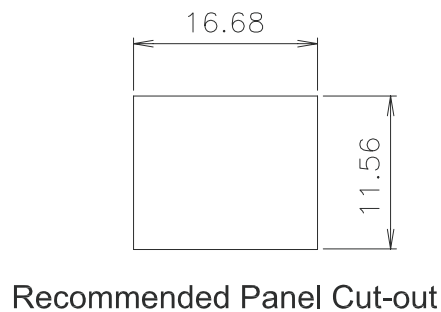
MATERIALS:

- HOUSING—PA9T GN2330
HEAT RESISTANT PLOYAMIDE RESIN.
BLACK COLOR, UL94V-0
- CONTACTS—0.35mm THICK PHOS-BRONZE PLATED
WITH HARD GOLD AND GOLD FLASH ON
SOLDER AREA.
- SHIELD—0.20mm THICK COPPER ALLOY,
PLATED WITH NICKEL.

CAVITY CONFIRMS TO FCC RULES AND REGULATIONS
PART 68,SUBPART F.



**Recommended PCB Layout
(Component Side)**



TITLE
MODULAR JAC RJ45, REVERSE,
WITH LED'S, DIP TYPE (RoHS)

PART NO. **MTCL-1E88x1SB-R** REV. **A**

REF. NO.

OPEN TOLERANCES
Fraction Decimals Angles
X ±0.50 ± 1°
XX ±0.38
XXX ±0.25
XXX ±0.10

SCALE SHEET 1 of 2

QA. NO.

DWG. Kate 12/21/15'

CKD. Justin 12/21/15'

APPD. Justin 12/21/15'

REV.	A	New Release	12/21/15'
REV.		DESCRIPTION	DATE

Order Information

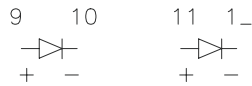
MTCL -1E88 x 1SB-R

LED colours; see table

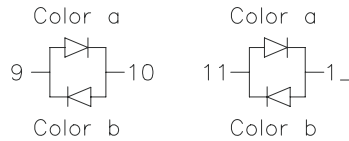
LED Code

LED options		
Code	Left (LED 2)	Right (LED 1)
0	none	none
1	yellow	green
2	none	green
3	green	yellow
4	green	green
5	yellow	yellow
6	yellow/green	yellow/green
7	green/red	green/red
8	yellow/green	yellow
9	green/orange	yellow
E	green/yellow	green

Single Color LED



Bi-Color LED



TITLE
MODULAR JAC RJ45, REVERSE,
WITH LED'S, DIP TYPE (RoHS)

PART NO. MTCL-1E88x1SB-R

REF. NO.

REV. A



All Dimensions
in mm

OPEN TOLERANCES
Fraction Decimals Angles
X ±0.50 ± 1°
XX ±0.38
XXX ±0.25
XXX ±0.10

SCALE SHEET

QA. NO.

2 of 2

DWG. Kate 12/21/15'

CKD. Justin 12/21/15'

APPD. Justin 12/21/15'

REV.	DESCRIPTION	DATE
A	New Release	12/21/15'