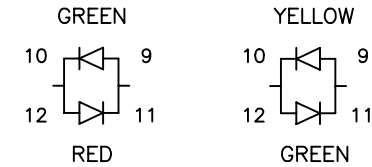
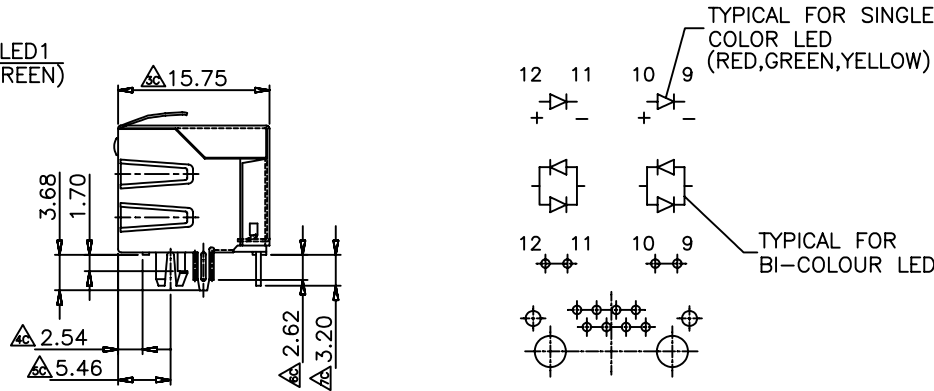
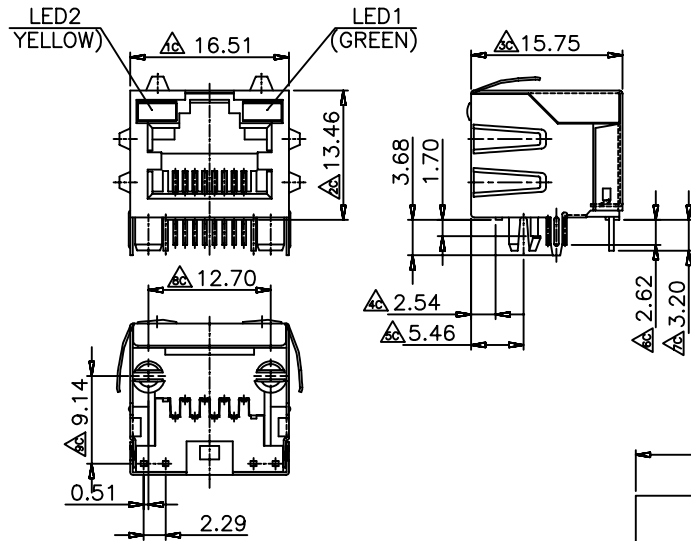


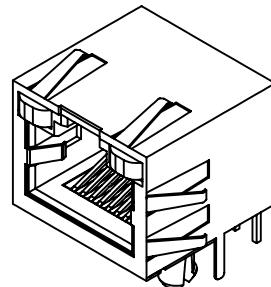
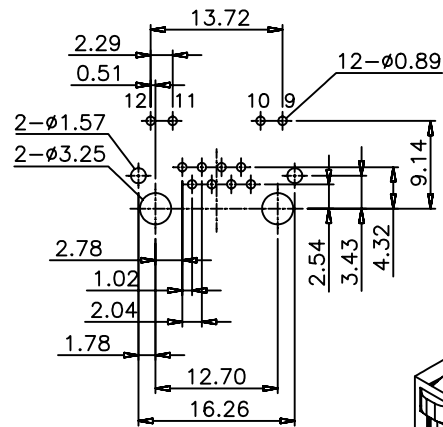
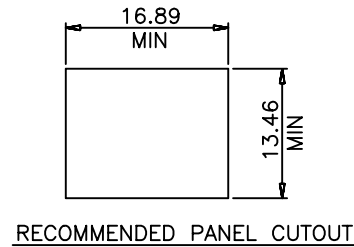
RoHS COMPLIANT

DESCRIPTION CONTROL

REV	DESC	DATE	ECN NO



BI-COLOUR LED DETAIL
(GREEN/RED AND YELLOW/GREEN LED'S ARE ALSO AVAILABLE)



MATERIALS:
 PLASTIC HOUSING: ENGINEERING THERMOPLASTIC
 FLAMMABILITY RATING UL 94V-0.
 CONTACTS: PHOSPHOR BRONZE
 PLATING: GOLD PLATING OVER NICKEL IN CONTACT.
 TIN PLATING OVER NICKEL IN SOLDER AREA.
 SHIELD: BRASS PLATING NICKEL ALLOY.

ELECTRICAL:
 CURRENT RATING: 1.5 AMPERES MAX. @ 25°C.
 VOLTAGE RATING: 150 VAC MAX.
 VOLTAGE: 60 VDC.
 DIELECTRIC WITHSTANDING VOLTAGE:
 1000 VAC, RMS, 60Hz, 1MIN.
 INSULATION RESISTANCE : 500 MEGOHMS MIN.
 OPERATE/STORAGE TEMPERATURE: -40°C TO 85°C.

gtk **COLUK** GTK UK Ltd

	ITEM: 3046S 8P8C JACK W/LED(Y-G)	REV A
	DRAWN BY: Johnny	SCALE: NONE
CHECKED BY:	CUSTOMER:	PAGE: 1/1
APPROVED BY:	CUSTOMER P/N: MTCL-18811SBS-R	
ALL DIMENSIONS IN mm (UNLESS OTHERWISE SPECIFIED)		