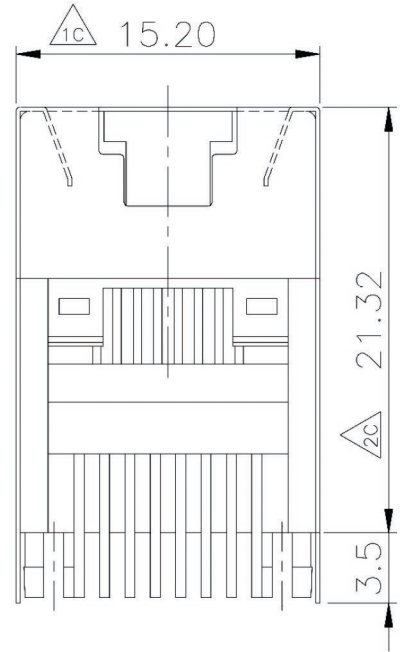
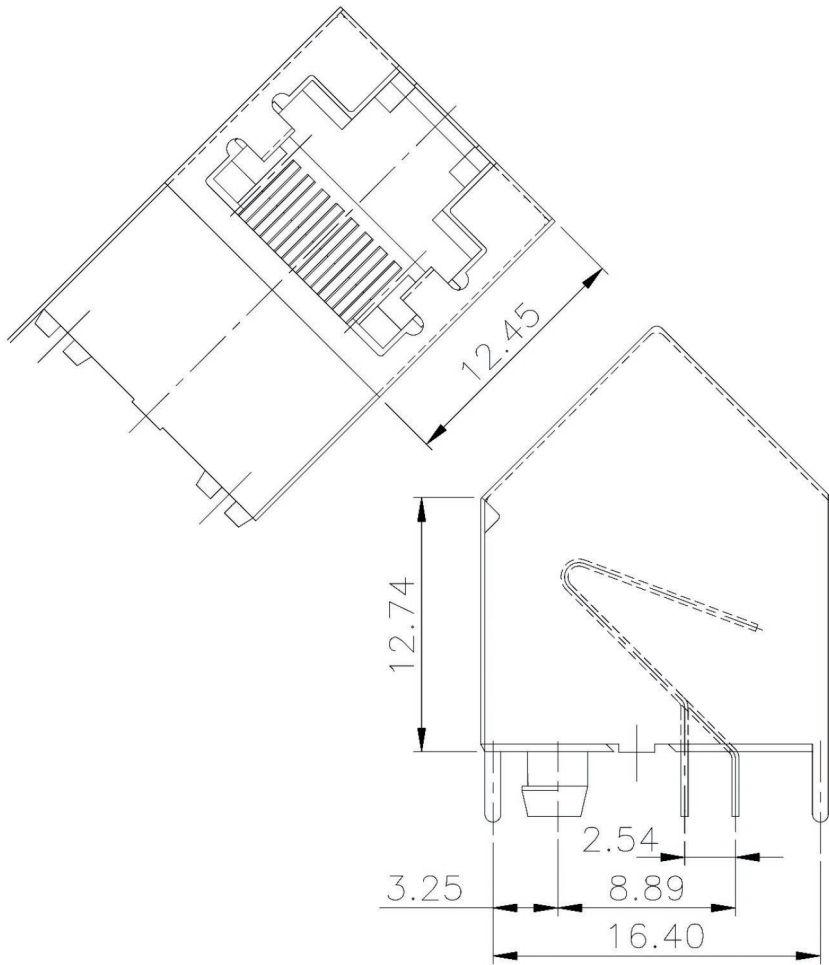


MATERIALS:

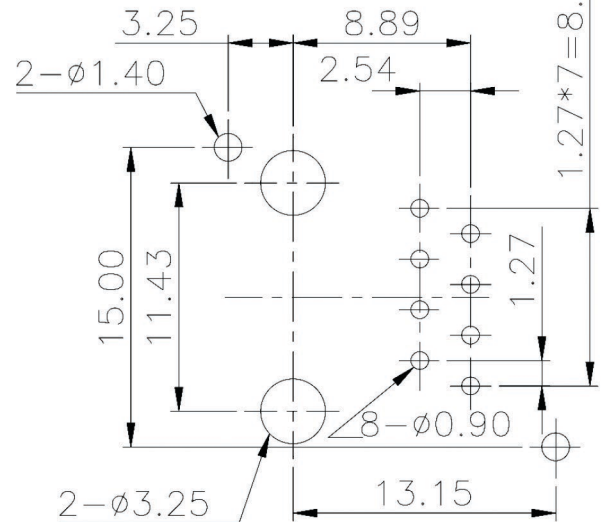
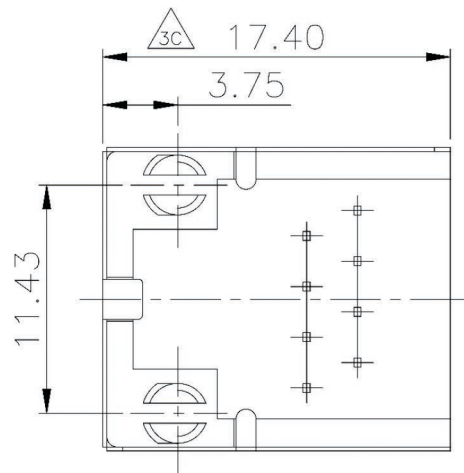
PLASTIC HOUSING: ENGINEERING THERMOPLASTIC
 FLAMMABILITY RATING UL 94V-0.
 CONTACTS: 0.35MM THICKNESS PHOSPHOR BRONZE 6u”
 PLATING: GOLD PLATING OVER NICKEL IN CONTACT.
 TIN PLATING OVER NICKEL IN SOLDER AREA.
 SHIELDED: BRASS WITH NICKEL PLATED

ORDER CODE:

MTC-8810Sx-45-R
 INSULATOR COLOUR:
 B = BLACK
 W = WHITE



PCB LAYOUT/TOP VIEW



※ 凡標註記號者，為品管檢驗之尺寸

設計 DR. YANG 88-06-29	核准 APPD. JERRY 88-06-29	容許公差 .XXX ±0.10 .XX ±0.25 .X ±0.38 X ±0.50 ANG ±3°	TOLERANCE	品名 ARTICLE 45° RJ45 PCB JACK (8P8C SHIELDED)
版本說明 REVISION NOTE				圖號 DWG NO. MTC-8810Sx-45-R
			單位 UNIT mm	比例 SCALE 2.5/1
			張數 SHEET 1/1	版本 REV. A