

MATERIALS:

PLASTIC HOUSING: ENGINEERING THERMOPLASTIC

FLAMMABILITY RATING UL 94V-0.

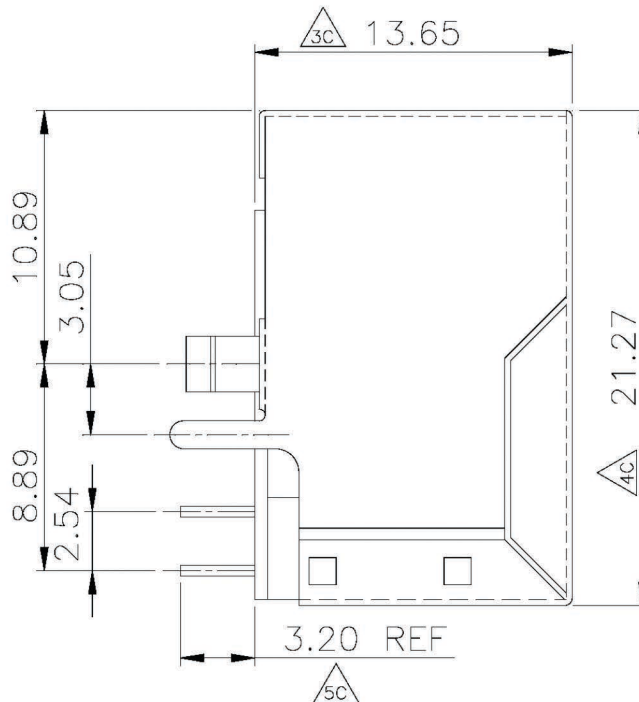
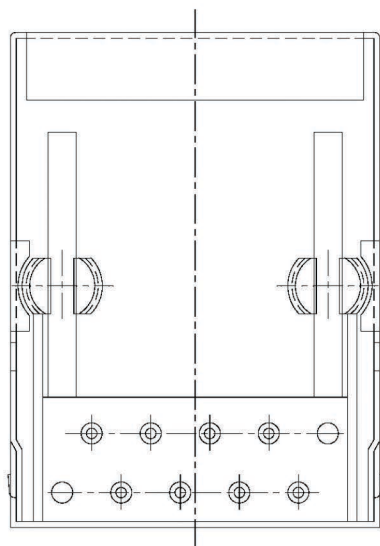
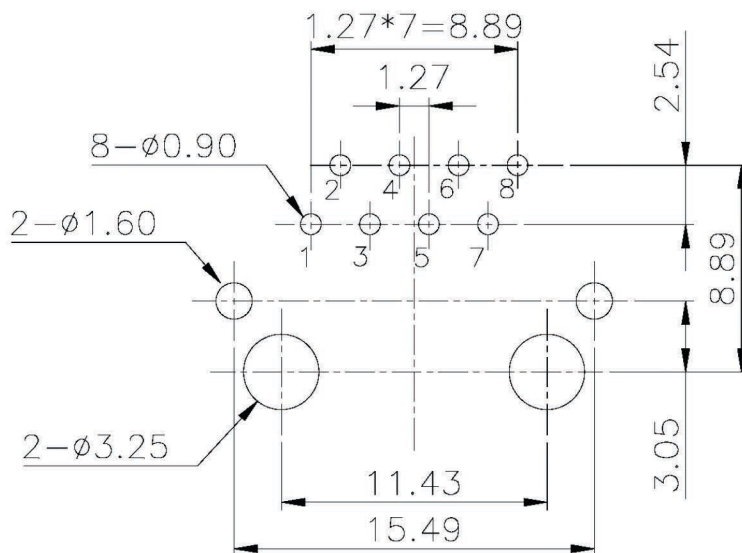
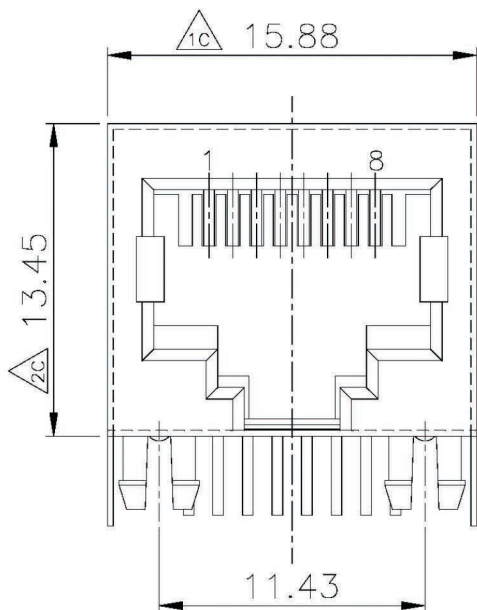
CONTACTS: 0.46mm DIAMETER PHOSPHOR BRONZE

PLATING: GOLD PLATING OVER NICKEL IN CONTACT, 6μ"

SHIELDED: BRASS WITH NICKEL PLATED

RoHS COMPLIANT

PCB LAYOUT/TOP VIEW



設計 DR.

LILY
2009-05-26

核准 APPD.

Jerry
2009-05-26

容許公差

TOLERANCE
.XXX ±0.10
.XX ±0.25
.X ±0.38
X ±0.50
ANG ±3°

品名

ARTICLE SIDE ENTRY PCB JACK(8P8C圓針)

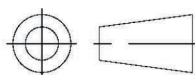
GTK P/N: MTC-8810SB-R

圖號

DWG NO.

為符合與多孔呎吋一致,修正圖面4C呎吋為21.27,發D版

gtk GTK UK LTD.



單位 UNIT	比例 SCALE	張數 SHEET	版本 REV.
mm	3/1	1/1	D