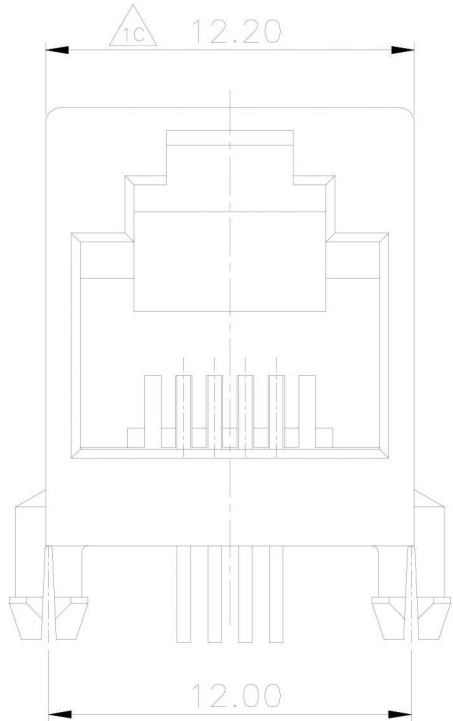


MATERIALS:

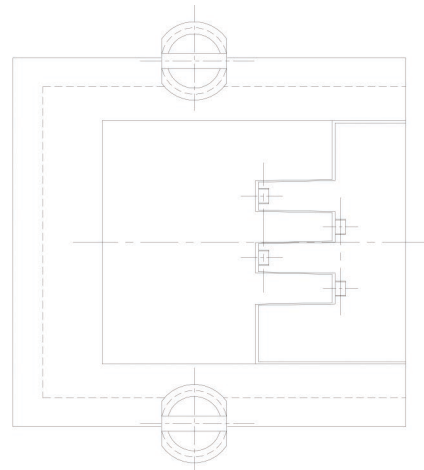
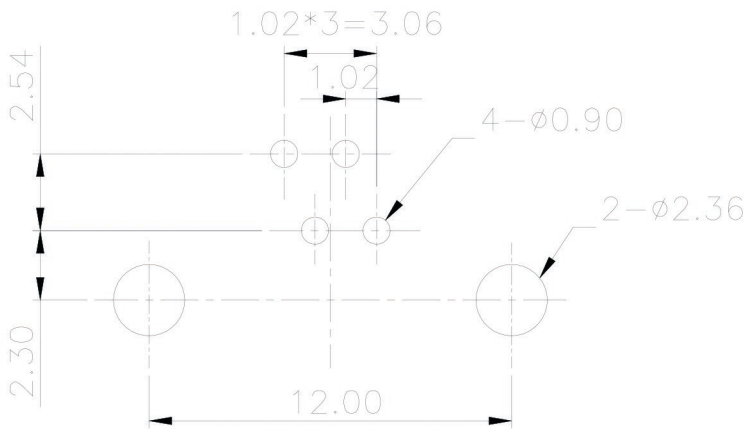
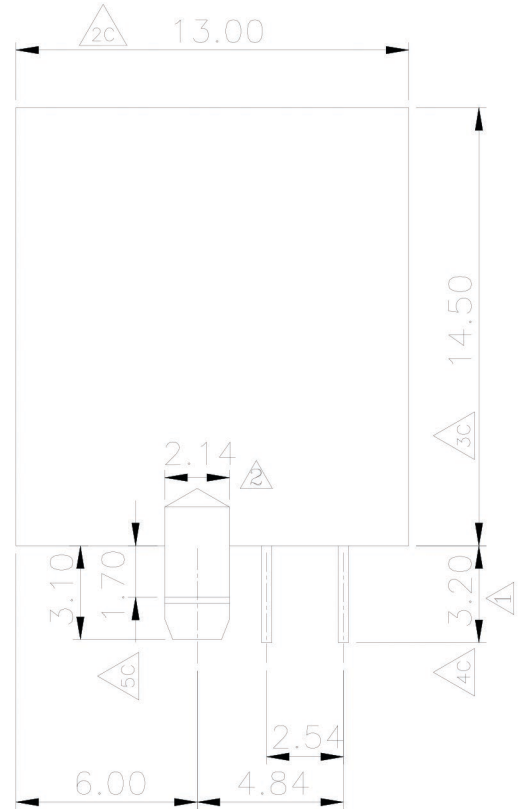
PLASTIC HOUSING: ENGINEERING THERMOPLASTIC
 FLAMMBILITY RATING UL 94V-0.

CONTACTS: 0.35MM THICKNESS PHOSPHOR BRONZE

PLATING: GOLD PLATING OVER NICKEL IN CONTACT 6μ"
 TIN PLATING OVER NICKEL IN SOLDER AREA.



PCB LAYOUT/TOP VIEW



設計 DR. james 92-11-28	核准 APPD. Jerry 92-11-28	容許公差 .XXX ±0.10 .XX ±0.25 .X ±0.38 X ±0.50 ANG ±3°	TOLERANCE	品名 6P4C PCB JACK
版本說明		REVISION NOTE		圖號 MTC-6410NBMLNF-R
GTK UK LTD.				單位 UNIT mm
				比例 SCALE 4/1
				張數 SHEET 1/1
				版本 REV. A