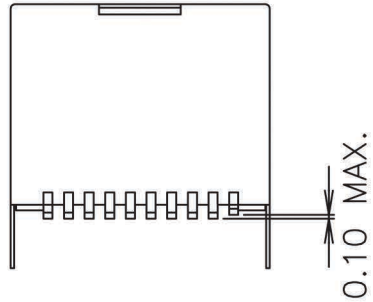
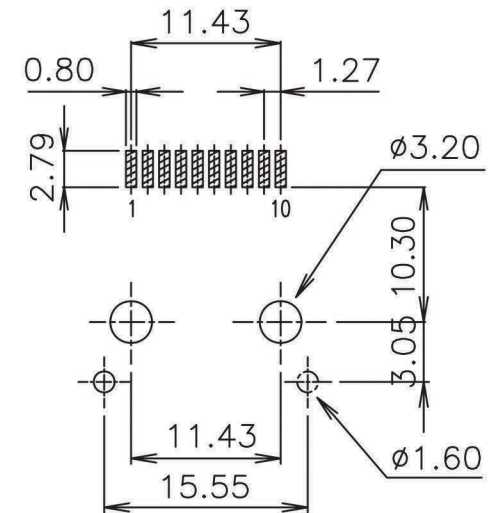
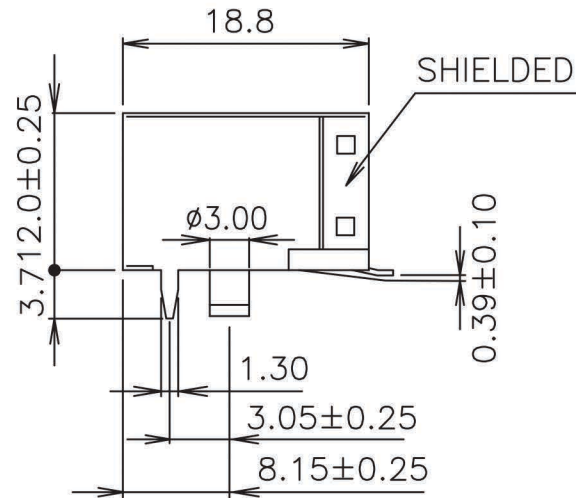
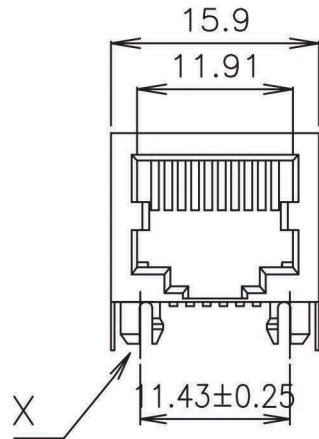
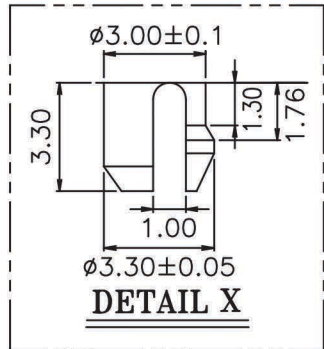
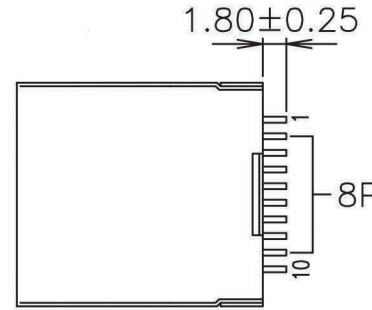


COPLANARITY:
THE MAXIMUM DISTANCE (0.10mm)
BETWEEN LOWEST AND
HIGHEST PIN WHEN
BOTTOM OF PART PUT
ON A FLAT SURFACE



MATERIALS:

- HOUSING—DSM STANYL TE250F6 (NYLON-46)
HEAT DEFLECTION TEMP.290°
BLACK COLOR, UL94V-0
 - CONTACTS —0.35mm THICK PHOS-BROZNE PLATED
WITH HARD GOLD AND GOLD FLASH
IN SOLDER AREA.
 - SHIELD—0.25mm THICK COPPER ALLOY,
PLATED WITH NICKEL.
- CAVITY CONFIRMS TO FCC RULES AND REGULATIONS
PART 68,SUBPART F.



Recommended PCB Layout
(Component Side)



TITLE 10POSITION MODULAR JACK SMT, VERY LOW PROFILE (RoHS)		All Dimensions in mm		OPEN TOLERANCES Fraction Decimals Angles X ± 0.50 ± 1° XX ± 0.38 XXX ± 0.25 XXXX ± 0.10	DWG. Jason 11/21/06'		
PART NO. MTC-1010SB-SMR	REV. A	SCALE 2 : 1	SHEET 1 of 1	APPD. Justin 11/21/06'	CKD. Jacky 11/21/06'		
REF. NO.	QA. NO.					A	New Release 11/21/06'
						REV.	DESCRIPTION DATE