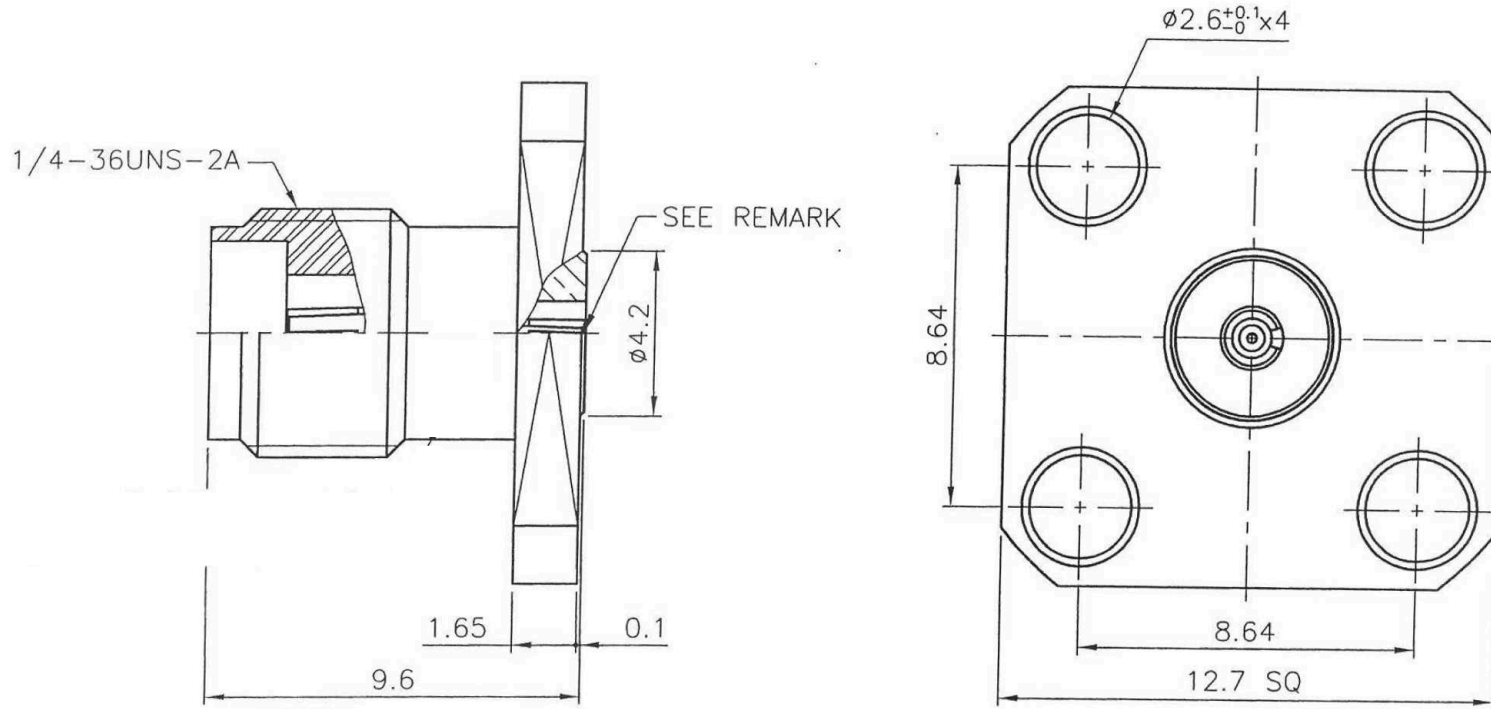


REVISIONS		DESCRIPTION\DATE
ISS	SYMBOL	

REMARK: ACCEPT $\phi 0.305 \pm 0.025$ PIN


FOR CUSTOMER(WEBSITE)



NOTES: FINISH (PLATING THICKNESS IN MICRO-INCHES)

1. BRASS PER QQ-B-626
2. GOLD PL 40 MIN OVER ELECTROLESS NICKEL PL 50 MIN THICK OVER COPPER PL 50 MIN THICK
3. BERYLLIUM COPPER PER QQ-C-530
4. STAINLESS STEEL PER QQ-S-764, TYPE 303
5. PASSIVATED
6. GOLD PL 30 MIN OVER ELECTROLESS NICKEL PL 50 MIN THICK OVER COPPER PL 50 MIN THICK

HSF COMPLIANT

					DIMENSIONS ARE IN MILLIMETERS				PART NO.		 GTK UK LTD.		
					UNLESS OTHERWISE SPECIFIED TOLERANCES (一般公差)				APPROVED	DATE			TITLE K(2.92mm) PANEL RECEIPT JACK (ACCEPTS 0.305MM PIN)
					0.5~6 = ±0.2					<i>Jany</i>	05/28/14'	DRAWING NO. KS-JP4A-PG25-R	
					>6~30 = ±0.4					<i>Jany</i>	05/28/14'		
					>30~120 = ±0.6								
					>120~315 = ±1								
					>315~1000 = ±1.6								
					ANGLES(角度) = ±5'								
LOCK RING	NOTE 1	NOTE 6								<i>Jany</i>	05/28/14'		
INSULATOR	ULTEM 1000	AMBER								<i>Jany</i>	05/28/14'		
CONTACT PIN	NOTE 3	NOTE 2											
BODY	NOTE 4	NOTE 5											
NO.	DESCRIPTION	MATERIAL	FINISH	Q'TY	DRAWING NO.	SCALE	5/1	ISSUE	A1	<i>Jany</i>	05/28/14'		