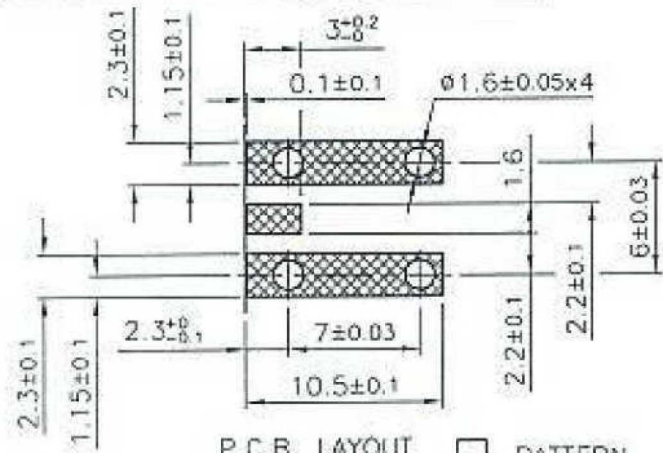


FOR CUSTOMER



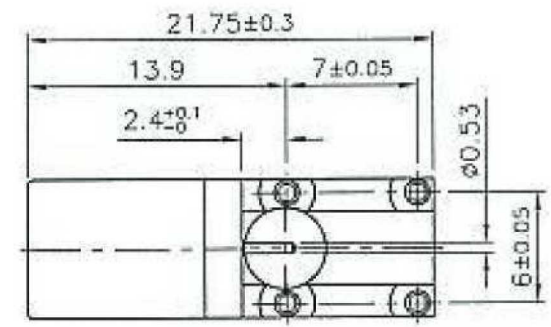
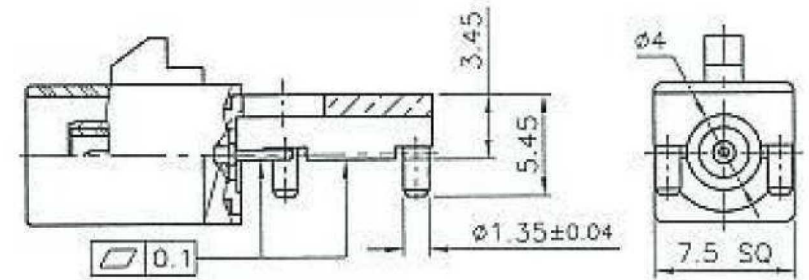
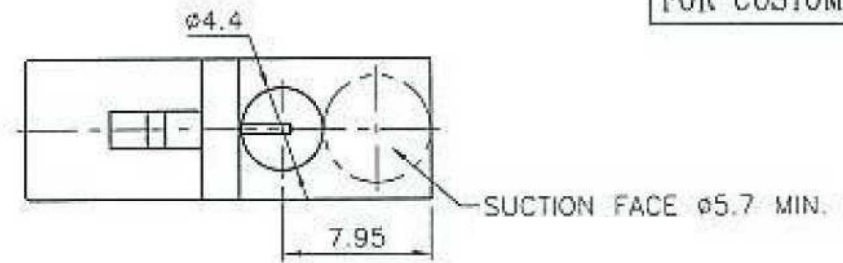
Code	DRAWING NO.	SIMILAR RAL NO.
A	FKR-J1AS-GG15-R	BLACK 9005
B	FKR-J1BS-GG15-R	CREAM WHITE 9001
C	FKR-J1CS-GG15-R	BLUE 5005
D	FKR-J1DS-GG15-R	BORDEAUX 4004
Z	FKR-J1ZS-GG15-R	WATER BLUE 5021



P.C.B. LAYOUT

□ PATTERN

▨ LAND(FREE OF SOLDER MASK)



NOTES: FINISH (PLATING THICKNESS IN MICRO-INCHES)

1. BRASS PER QQ-B-626

2. GOLD PL 3 MIN OVER NICKEL PL 70 MIN THICK OVER COPPER STRIKE

RoHS COMPLIANT

					DIMENSIONS ARE IN MILLIMETERS		PART NO.		
					UNLESS OTHERWISE SPECIFIED TOLERANCES (-公差)		APPROVED DATE		
					0.5~6 = ±0.2		Jany 06/20/13'		
					>6~30 = ±0.4		CHECKED DATE		
					>30~120 = ±0.5		Jany 06/20/13'		
					>120~315 = ±1		DRAWN DATE		
					>315~1000 = ±1.5		Arel 06/20/13'		
					ANGLES(角度) = ±5'				
PLASTIC HOUSING	PAST	SEE TABLE					TITLE		
LOCK RING	NOTE 1	NOTE 2					FAKRA PCB MOUNT JACK (SMT)		
CONTACT PIN	NOTE 1	NOTE 2					DRAWING NO. FKR-J1XS-GG15-R		
INSULATOR	PTFE	WHITE							
BODY	NOTE 1	NOTE 2							
NO	DESCRIPTION	MATERIAL	FINISH	Q'TY	DRAWING NO.	SCALE	2.5/1	ISSUE	AS

