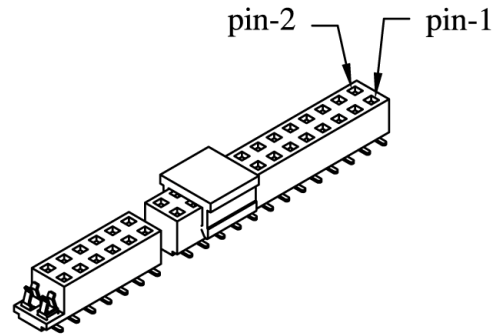
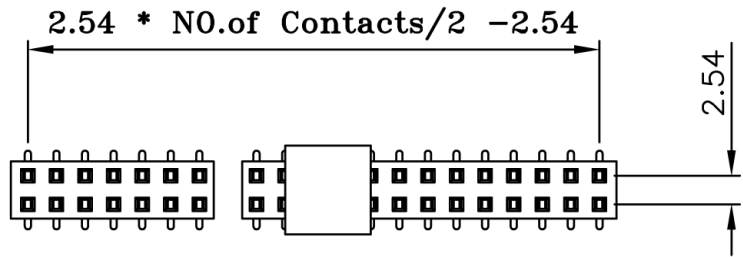
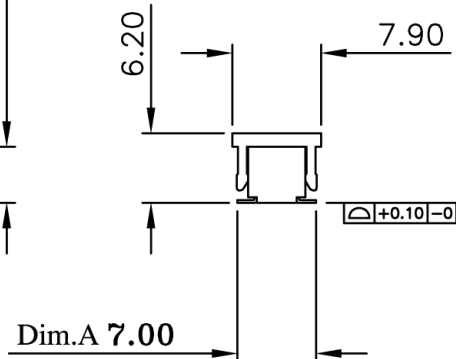
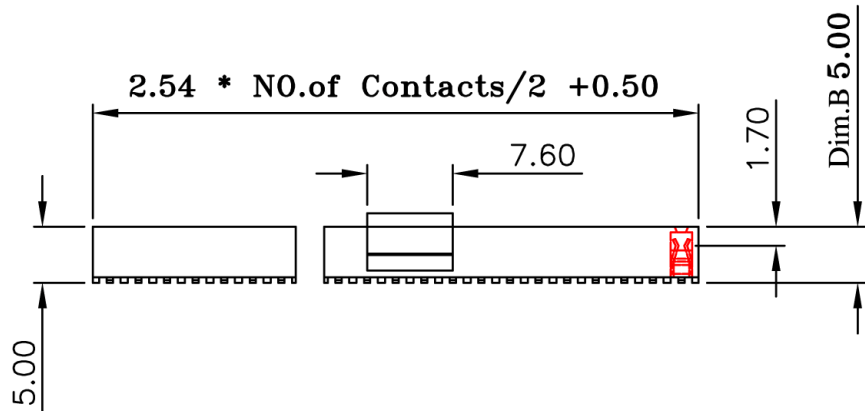


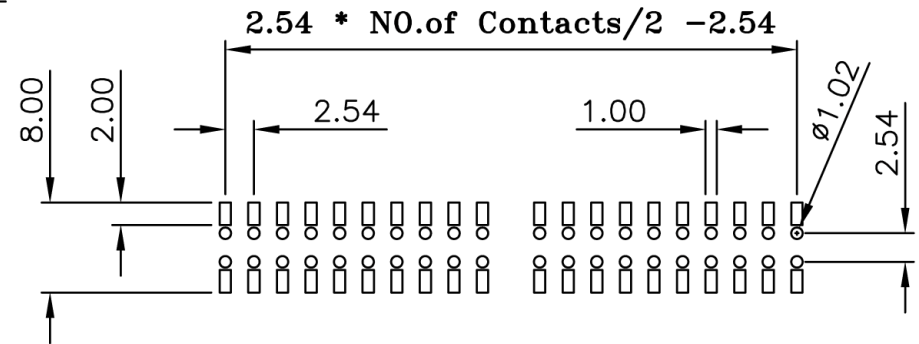
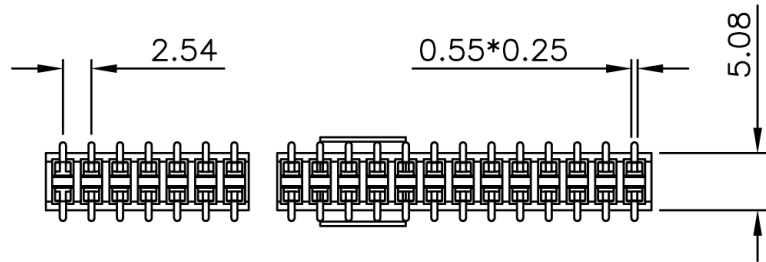
RoHS COMPLIANT



Current Rating: 3 Amps  
 Insulator Resistance: 5000 Megohms min  
 Contact Resistance: 20 m ohms max  
 Dielectric Withstanding: 1000 V AC  
 Operating Temperature: - 40° ~ +105° C  
 Max Processing Temp: 230° C for 60 seconds  
 260° C for 10 seconds  
 Contact Material: Phosphor Bronze  
 Insulator Material: High Temperature Plastic,UL 94V-0  
 Finish:  
 Standard:Gold Flash all over



Recommended P.C. Board  
 SMD Layout



PART NO	FHDSxxG7-5.0-R		.X ±0.3	.XX ±0.20	.XXX ±0.100
DRAWING NO	PB-00275	EDITION: C	ITEM: PB		
DRAWN BY	HUNTER	2011/09/13	SCALE: 1:1		
APPROVAL BY	Peter pan	2011/09/13	UNIT: m.m		