

REV.	DESCRIPTION	DRW.	CHK.	APP.	DATE
A	RELEASE				
B	增修編碼料號	卓欽堂	王盛富	郭豐榮	95.05.19
C	修改圖面錯誤	李玉雲	王盛富	郭豐榮	95.12.05
D	修改圖面尺寸	李玉雲	王盛富	郭豐榮	95.12.18

Cir-cuits	Dimension mm	
	L1	L2
2x2	2.00	4.00
2x3	4.00	6.00
2x4	6.00	8.00
2x5	8.00	10.00
2x6	10.00	12.00
2x7	12.00	14.00
2x8	14.00	16.00
2x9	16.00	18.00
2x10	18.00	20.00
2x11	20.00	22.00
2x12	22.00	24.00
2x13	24.00	26.00
2x14	26.00	28.00
2x15	28.00	30.00
2x16	30.00	32.00
2x17	32.00	34.00
2x18	34.00	36.00
2x19	36.00	38.00
2x20	38.00	40.00
2x21	40.00	42.00
2x22	42.00	44.00
2x23	44.00	46.00
2x24	46.00	48.00
2x25	48.00	50.00
2x26	50.00	52.00
2x27	52.00	54.00
2x28	54.00	56.00
2x29	56.00	58.00
2x30	58.00	60.00
2x31	60.00	62.00
2x32	62.00	64.00
2x33	64.00	66.00
2x34	66.00	68.00
2x35	68.00	70.00
2x36	70.00	72.00
2x37	72.00	74.00
2x38	74.00	76.00
2x39	76.00	78.00
2x40	78.00	80.00

SPECIFICATIONS

Current Rating:

2 Amp

Insulator resistance:

1000 Megohms Min.

Dielectric withstanding:

AC 500V/minute

Operating Temperature:

-40° ~ +105°C

Contact Material:

Phosphor Bronze

Insulator Material:

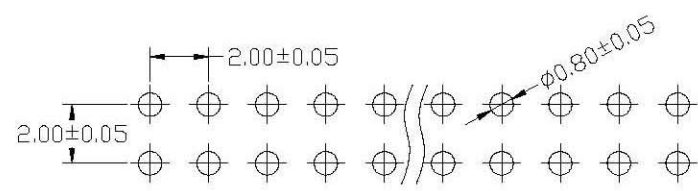
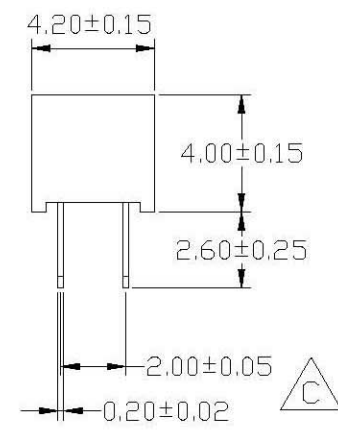
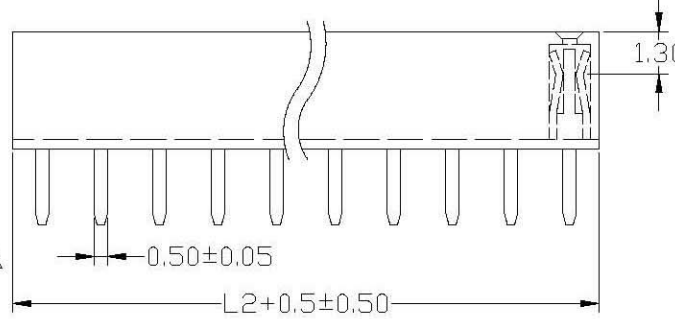
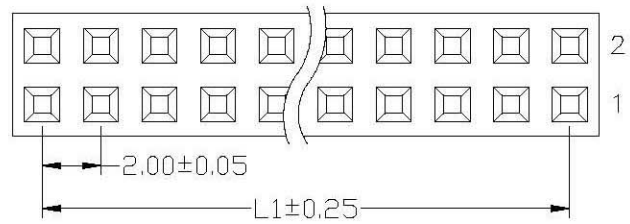
High Temperature Thermoplastic

+Glass Fibre UL94V-0

Color: Black

Finish:

Gold,



RECOMMENDED P. C. B. LAYOUT

成品規格圖				APP.	ANGLES	±3°	SIZE	A4
TITLE	2.00 Female Header Straight Type			CHK.	LINEAR	0.0 ±0.20	SCALE	3:1
PART NO	FHDSXXG2-R					0.00±0.15	SHEET	1/1
DRW NO	22P820029-A			DR.	古惠如			
UNIT	mm(INCH)	PROJECT	◎ ◻		94.08.02	GTK UK LTD.		