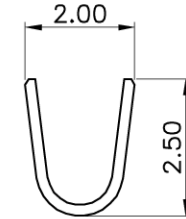
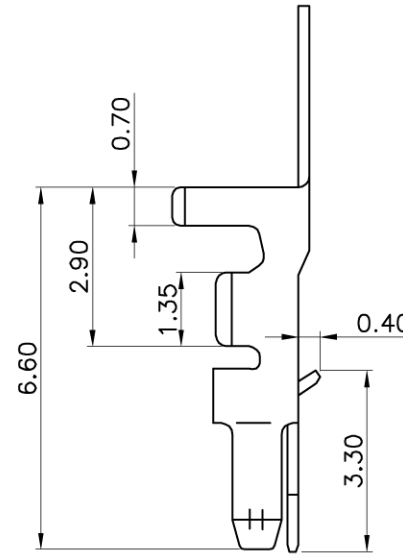
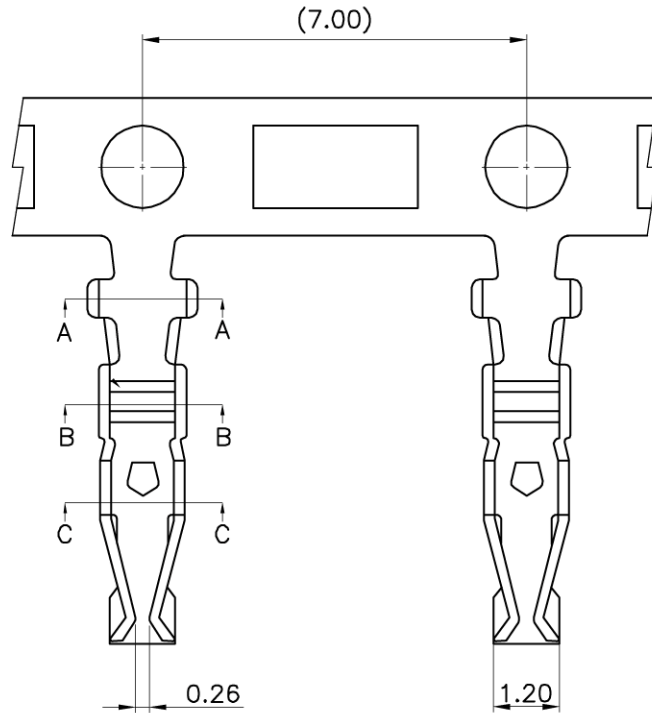
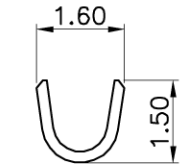


Engineer Drawing

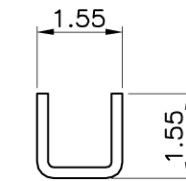
REV	ECN NO.	DESCRIPTION	DATE	APP'D
C/0		RELEASE TO PRODUCTION	03/19/10'	Goldberg



Section A-A



Section B-B



Section C-C


NOTES:

1. MATERIAL: PHOSPHOR BRONZE, t=0.20mm
2. FINISH: SEE ORDER CODE
3. APPLICABLE WIRE RANGE: AWG#22-#28
4. INSULATION O.D: Ø0.9-1.5mm
5. USE WITH WTBM-SERIES HOUSING
6. PACKING 10K/REEL
7. ORDER CODE:

WTBM-CR-FXXR-R

Plating:

- T - Tin over Nickel
- G0 - Gold flash over Nickel
- G2 - 15µ" Gold over Nickel

TOLERANCE X. ±0.30 X.X ±0.25 X.XX ±0.15 X.XXX ±0.08 ANGULA 3° UNLESS OTHERWISE SPECIFIED	APPROVALS		DATE	 GTK UK LTD.
	DRAWN <i>Vinson Hu</i>		03/19/10'	
	CHK'D <i>Goldberg Chen</i>		03/19/10'	
	APP'D <i>Wayne Lai</i>		03/19/10'	
	UNITS mm	SCALE 1:1	SIZE: A4	PART NO. WTBM-CR-FXXR-R DRAWING NO. WTBM-CR-FXXR-R SHEET 1 OF 2
				TITLE: WTBM-SERIES CRIMP CONTACT, 2.0MM PITCH REV. C/0

Engineer Drawing

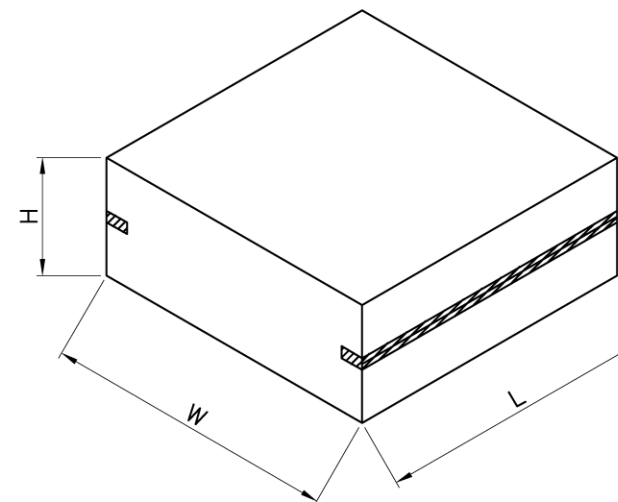
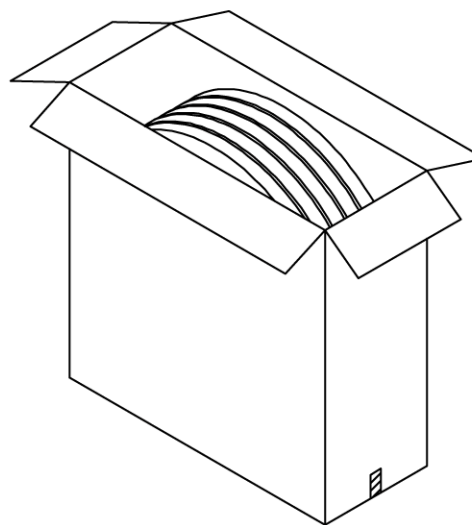
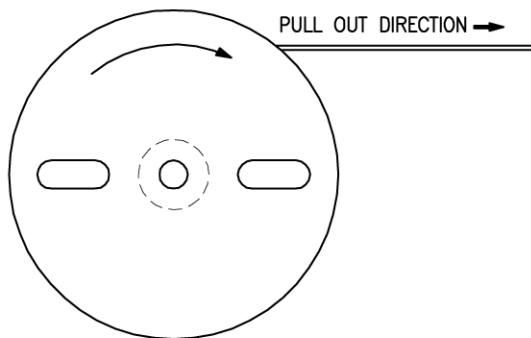
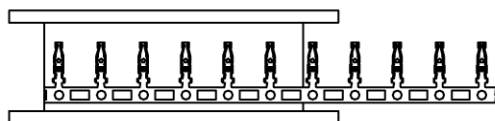
REV	ECN NO.	DESCRIPTION	DATE	APP'D
C/0		RELEASE TO PRODUCTION	03/19/10'	Goldberg


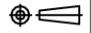
PACKING MATERIAL

PART NAME	DIM(mm)
CARTON	580*580*210

PACKING CAPACITY

PART NO.	PCS/RE	RE/BC	PCS/BC
WTBM-CR-FXXR-R	10,000PCS/RE	8 RE/BC	80,000 PCS/BC



TOLERANCE		APPROVALS		DATE	 GTEK UK LTD.		
X.	±0.30	DRAWN	<i>Vinson Hu</i>	03/19/10'			
X.X	±0.25	CHK'D	<i>Goldberg Chen</i>	03/19/10'	PART NO.	TITLE: WTBM-SERIES CRIMP CONTACT, 2.0MM PITCH	
X.XX	±0.15	APP'D	<i>Wayne Lai</i>	03/19/10'	WTBM-CR-FXXR-R		
X.XXX	±0.08	UNITS	mm	SCALE	1:1		SIZE: A4
ANGULA	3°						
UNLESS OTHERWISE SPECIFIED							 SHEET 2 OF 2

REV. C/0