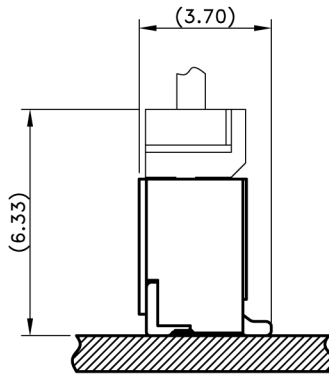
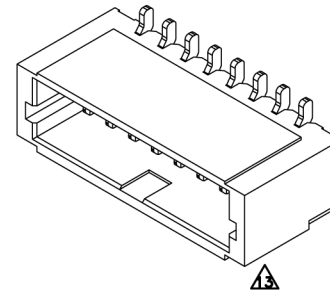


RECOMMEND PCB LAYOUT
General tolerance±0.05



ASSEMBLED ALL PART VIEW



3D VIEW

■ **SPECIFICATIONS**

- Current Voltage : 50V AC/DC
- Current Rating : 1 A AC/DC
- Withstanding Voltage : 500V AC/minute
- Insulation Resistance : 100MΩ min
- Temperature Range : - 25°C to + 85°C
- Contact Resistance : 20mΩ max

■ **MATERIAL**

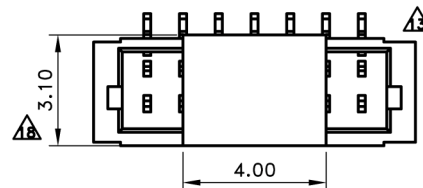
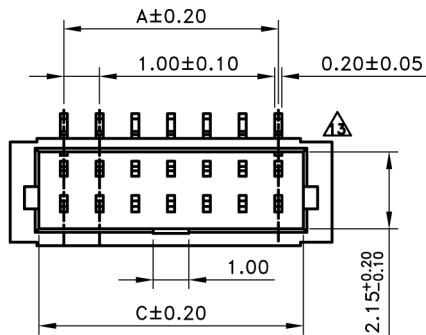
- Contact: Phos. Bronze, tin plated
- Solder Tab: Brass, tin plated
- Housing: Nylon 9T, natural. UL94V-0

ORDER CODE:

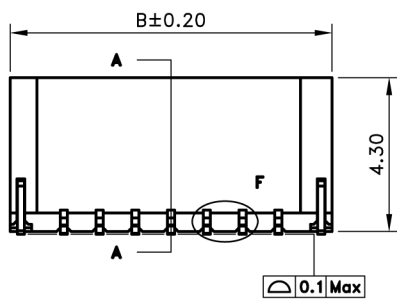
WTBI-xxS-SMH2T-R

No poles; 02-22

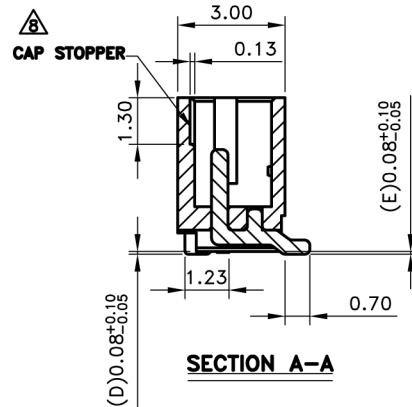
PACKAGING: 1000pc/Reel with cap



ASSEMBLED CAP VIEW



DETAIL F (SCALE 2:1)



SECTION A-A

Poles	Dimensions (mm)			Poles	Dimensions (mm)		
	A	B	C		A	B	C
2	1.00	4.00	2.45	13	12.00	15.00	13.45
3	2.00	5.00	3.45	14	13.00	16.00	14.45
4	3.00	6.00	4.45	15	14.00	17.00	15.45
5	4.00	7.00	5.45	16	15.00	18.00	16.45
6	5.00	8.00	6.45	17	16.00	19.00	17.45
7	6.00	9.00	7.45	18	17.00	20.00	18.45
8	7.00	10.00	8.45	19	18.00	21.00	19.45
9	8.00	11.00	9.45	20	19.00	22.00	20.45
10	9.00	12.00	10.45	21	20.00	23.00	21.45
11	10.00	13.00	11.45	22	21.00	24.00	22.45
12	11.00	14.00	12.45				



APPROVED BY	SCALE	UNIT	TOLERANCE	LTR	REVISION RECORD	NAME	DATE	LTR	REVISION RECORD	NAME	DATE
張育瑞		mm	.0 ±0.30	△	新增無齒選項並合併圖面	金飛	2010/11/01	△	增加電鍍規格G0及修改NH用料	黃廣珍	2014/03/04
CHECKED BY	PROJ	VER NO.	.00 ±0.20	△	新增LCP材料	王誠賢	2012/05/29	△	無齒代碼"HF"刪除,與NH重複	鄭小嬌	2015/10/26
周家慶	⊕	a18	.000 ±0.10	△	新增NH選項及修改原NH為HF	林謙豪	2012/06/07	△	依實物蓋子修正圖面	曾慶根	2015/12/10
DRAWN BY	DATE	SIZE	ANGLE		修正編碼選項	吳弘文	2013/02/25	CUSTOMER			
曾慶根	2015/12/10	A4	0°	±1°	修改接地片位置	黃廣珍	2013/04/19				
			0°	±	增列額定電壓	吳弘文	2013/08/08				
SHEET			1/1	△	增CAP尺寸標示	吳弘文	2013/12/06	Conforms to The RoHS Instruction			

PART NO WTBI-xxS-SMH2T-R

1.00mm WIRE TO BOARD CONNECTOR, SMT & STRAIGHT