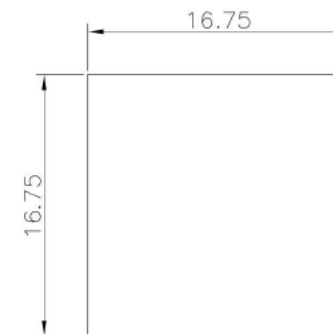
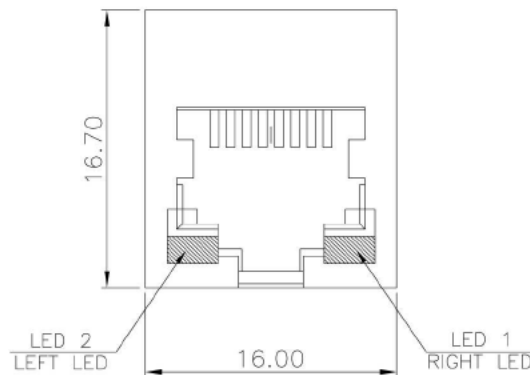
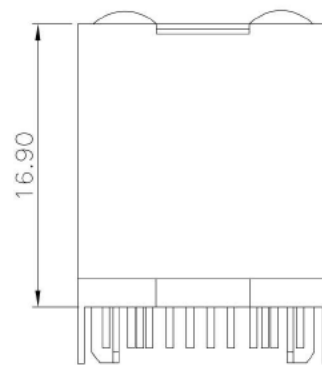
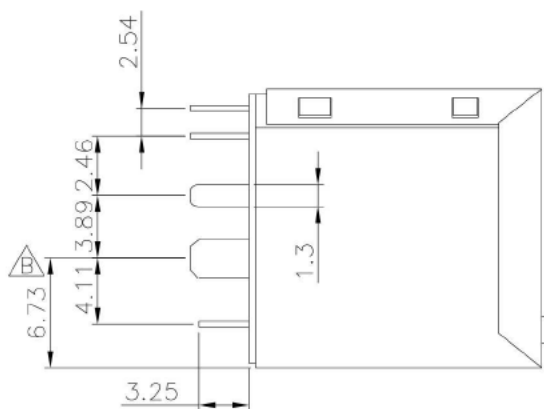


Recommended PCB Layout
(Component Side)



Recommended Panel Cut-out



SPECIFICATIONS

- ELECTRICAL: CURRENT RATING: 1.5A
 VOLTAGE RATING: 125V AC
 INSULATION RESISTANCE: 500MΩ Mini
 WITHSTAND VOLTAGE: AC 1500 V RMS 50Hz OR 60Hz 1 Min
 CONTACT RESISTANCE: 20mΩ Max
- MECHANICAL: INSERTION FORCE: 2 CONTACTS----350g 4 CONTACTS----500g
 6 CONTACTS----750g 8 CONTACTS----900g
 10 CONTACTS----1050g
- RETENTION STRENGTH: 7.7Kg BETWEEN JACK AND PLUG
 DURABILITY: 750 MATING CYCLES Mini
- MATERIAL: HOUSING: GLASS FILLED PBT (UL 94V-0)
 SPRING WIRE: 0.35mm THICKNESS PHOSPHOR BRONZE ALLOY SELECTIVE GOLD PLATING OVER NICKEL
 SHIELDING: 0.23mm THICKNESS COPPER ALLOY WITH TIN PLATED
 WORKING TEMPERATURE: -40°C ~ 70°C



TITLE SINGLE MODULAR JACK W/ MAGNETICS & LEDS (RoHS)		REV. B	SCALE 2 : 1	SHEET 1 of 3	OPEN TOLERANCES	DWG. Kate 05/18/12'		
PART NO. MTCLMJ-1831SN9-R					REF. NO.	QA. NO.	Fraction Decimals Angles X ±0.50 XX ±0.38 XXX ±0.25 XXX ±0.10	CKD. Justin 05/18/12'
					APPD. Justin 05/18/12'		B Update Drawing 05/18/12	
							A New Release 06/14/10	
							REV. DESCRIPTION DATE	

Order Information

MTCLMJ-18 3 1 S N 9-R

LED code
(see box)

Shielding
N = without grounding tabs

Schematics

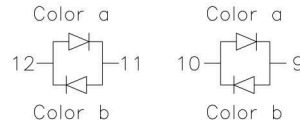
- 1 - A01
- 3 - A03
- 9 - A09

LED Configuration

Single Color LED



Bi-Color LED



LED Codes		
code	LED 2 (left)	LED 1 (right)
0	No LED	No LED
1	Yellow	Green
2	No LED	Green
3	Green	Yellow
4	Green	Green
5	Yellow	Yellow
6	Yellow/Green	Yellow/Green
7	Green/Red	Green/Red
8	Yellow/Green	Yellow
9	Green/Orange	Yellow

Further LED options available on request



TITLE
SINGLE MODULAR JACK W/
MAGNETICS & LEDS (RoHS)

PART NO. MTCLMJ-1831SN9-R REV. B

REF. NO.

OPEN TOLERANCES
Fraction Decimals Angles
X ±0.50
X.X ±0.38
X.XX ±0.25
X.XXX ±0.10

SCALE 2 : 1

QA. NO.

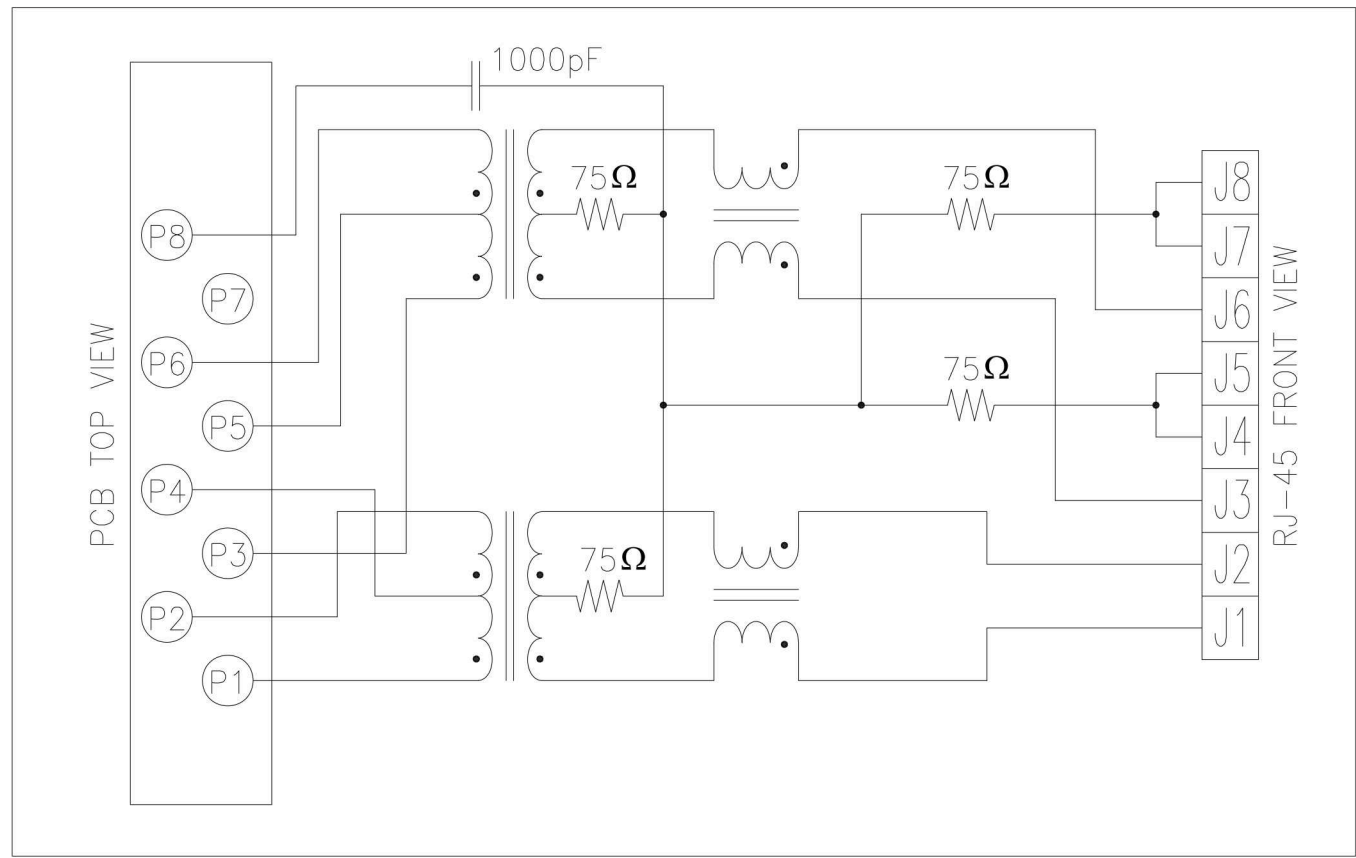
DWG. Kate 05/18/12'

CKD. Justin 05/18/12'

APPD. Justin 05/18/12'

REV.	DESCRIPTION	DATE
B	Update Drawing	05/18/12'
A	New Release	06/14/10'

Schematic A09



10/100 MB ELECTRICAL CHARACTERISTICS @ 25°C

Isolation Voltage(Input to Output): 1500 Vrms
 Turns Ratio: TX 1CT:1CT ±5% ; RX 1CT:1CT ±5%
 Insertion Loss: -1.0dB Max. @1-100MHz

Return Loss:

1-30MHz	30-60MHz	60-80MHz
-20dB	-16dB	-12dB (Min.)

Common Mode Rejection:

1-50MHz	50-150MHz
-30dB	-20dB (Min.)

Cross Talk:

1-30MHz	30-60MHz	60-80MHz
-30dB	-30dB	-30dB (Min.)

Inductance: 350uH Min with 8mA DC Bias, @100KHz/100mV



TITLE		OPEN TOLERANCES Fraction Decimals Angles X ±0.50 X.X ±0.38 X.XX ±0.25 X.XXX ±0.10	DWG. Kate 03/12/13'				
Filter Schematic A09 Type			CKD. Justin 03/12/13'	C	Update Drawing	03/12/13'	
PART NO. MTCLMJ-1831SN9-R	REV. C	SCALE 1:1	SHEET 3 of 3	APPD. Justin 03/12/13'	B	Update Drawing	12/25/09'
REF. NO.		QA. NO.			A	New Release	09/25/09'
					REV.	DESCRIPTION	DATE