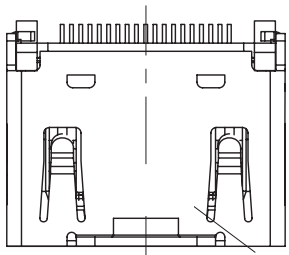


1 3 4 5 6 7 8



Order Code;
HDMI-R1SxxG1-R

0 - without flange
F4 - with flange; c/l 13.38mm above PCB

A

A

B

B

C

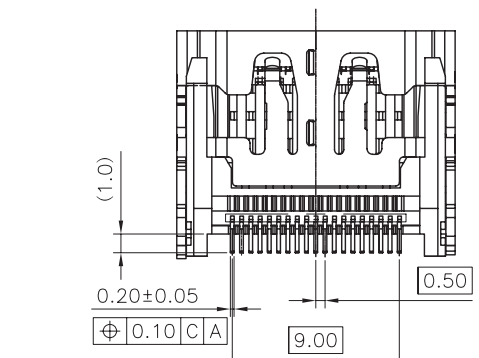
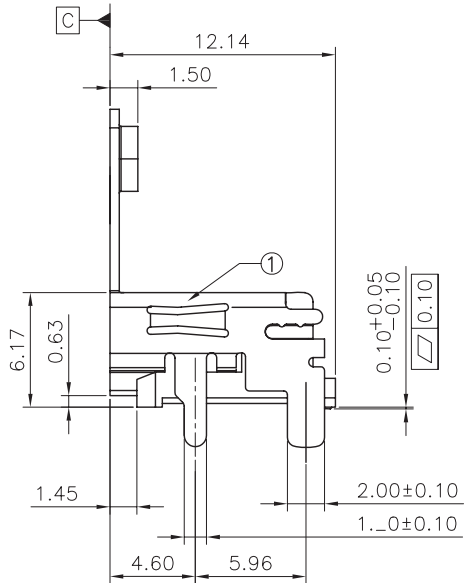
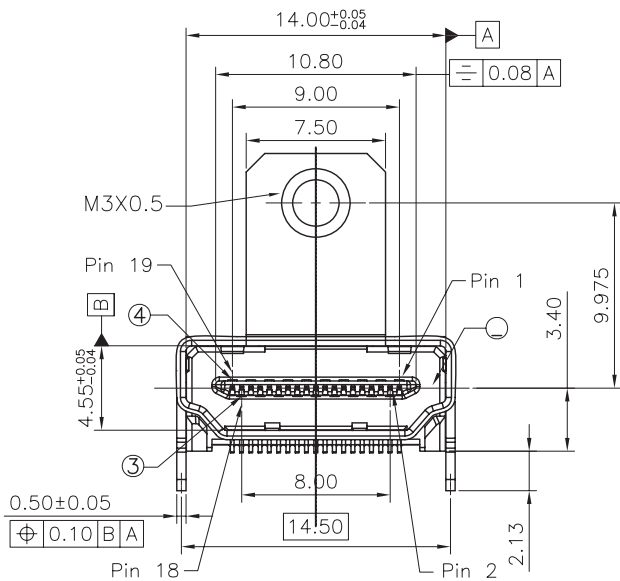
C

D


D

E

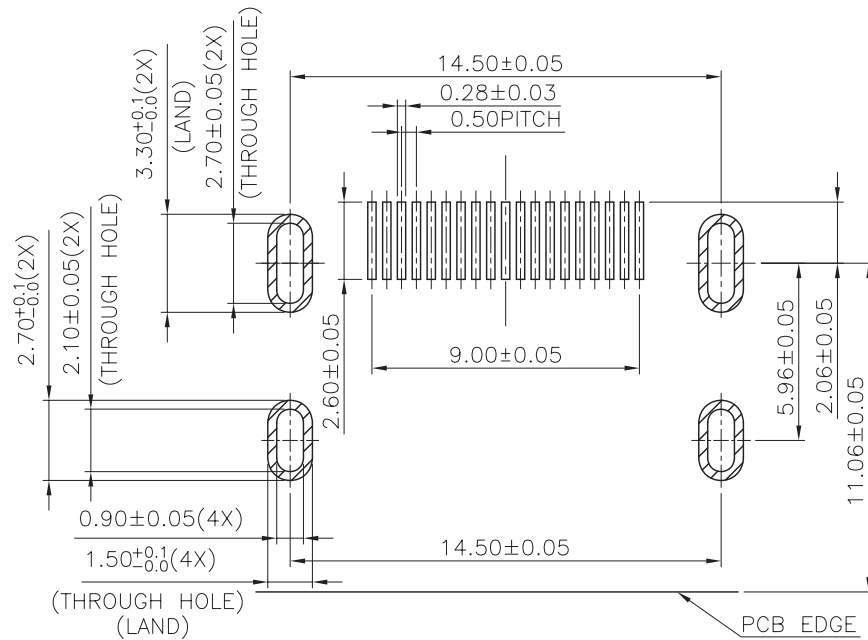
E



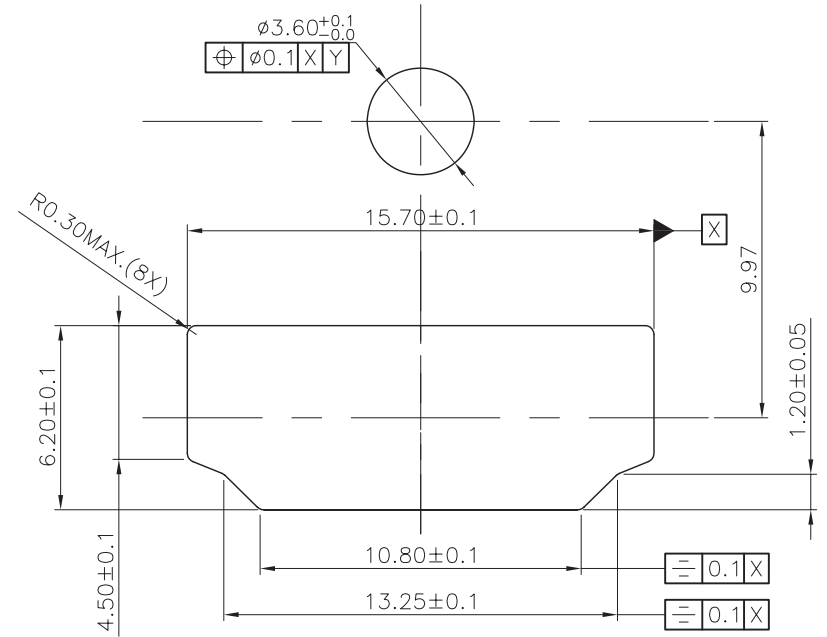
ROHS COMPLIANCE

TOLERANCE UNSPECIFIED:					
.000	± 0.15			SCALE: 1:1	UNIT: mm
.00	± 0.0				
.0	± 0.30				
.	±				
ANGLE	± 1°	NAME: HDMI SMT TYPE CONNECTOR CUSTOMER DRAWING			
DRAWN: Zane	8/31/11	DRAWING NO.: HDMI-R1S0G1-R			
DESIGNER: Zane	8/31/11	REV.: 0.1			
CHECKED:					
APPROVED:					

REV.	ZONE	LTR	DESCRIPTION	DATE	REVISER	APPD.
0.1			新版發行	8/31'11	Zane	



RECOMMENDED P.C.B. LAYOUT (T:1.20mm)
TOLERANCE UNSPECIFIED ±0.05mm



RECOMMENDED CONN. EDGE DIM.

SPECIFICATIONS

1. MECHANICAL :
 - 1.1 INSERTION FORCE :44.1 N MAX
 - 1.2 WITHDRAWAL FORCE :9.8 N MIN.
2. ELECTRICAL :
 - 2.1 CONTACT CURRENT RATING: 0.5A MIN.
 - 2.2 VOLTAGE RATING :40V AC (rms)
 - 2.3 WITHSTANDING VOLTAGE:
 - 500Volts AC BETWEEN ADIACENT TERMINAL(UNMATE)
 - 300Volts AC BETWEEN ADIACENT TERMINAL(MATE)
 - 2.4 INSULATION RESISTANCE:
 - 100Mohm MIN.(UNMATED);10Mohm MIN.(MATED)
 - 2.5 CONTACT RESISTANCE: 30 MILLIOHMS MAX.
3. ENVIRONMENTAL :
 - 3.1 OPERATING TEMPERATURE:-25° C TO +85° C

ROHS COMPLIANCE

10	Copper Alloy, 15u" Au over Ni	UP CONTACT	④
9	Copper Alloy, 15u" Au over Ni	DOWN CONTACT	③
1	Thermoplastic UL94V-0, black	HOUSING	②
1	Copper Alloy, Ni plated	SHELL	①
QTY'S	SPECIFICATION	PART	ITEM
MATERIAL:	TOLERANCE UNSPECIFIED: .0 0 0 ± 0.15 .0 0 ± 0.20 .0 ± 0.30 ANGLE ± 1°	GTK UK LTD. SCALE: 1:1 UNIT: mm	
FINISH:	DRAWN: Zane 8/31'11 DESIGNER: Zane 8/31'11 CHECKED: APPROVED:		
		DRAWING NO.: HDMI-R150G1-R	REV.: 0.1