

1 2 3 4 5 6 7 8

A

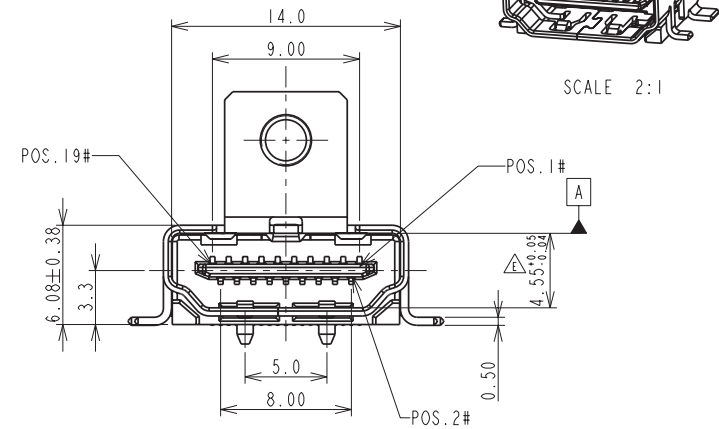
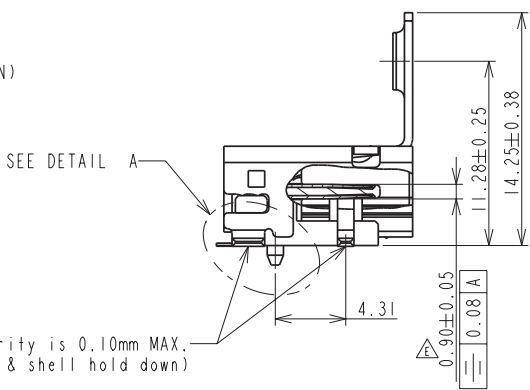
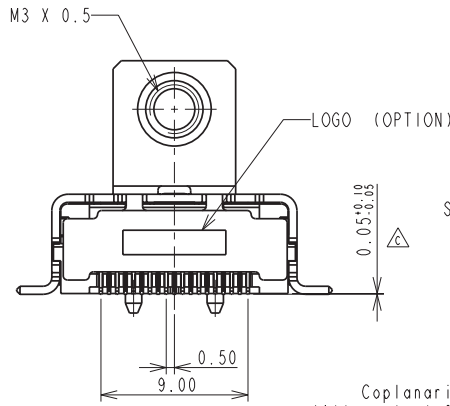
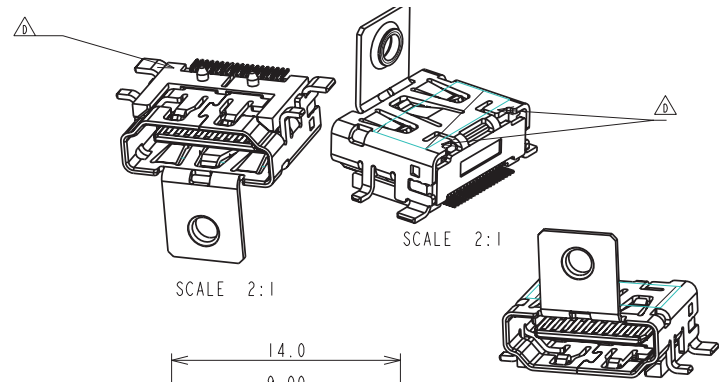
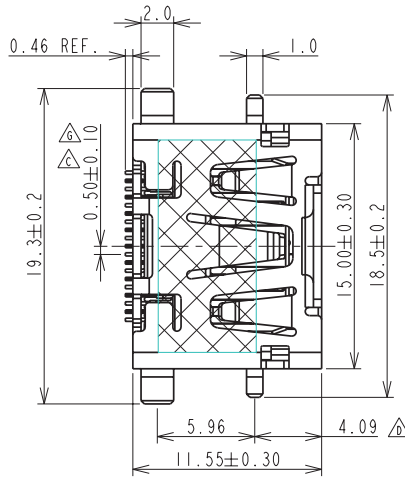
B

C

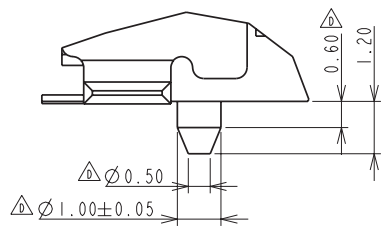
D

E

F



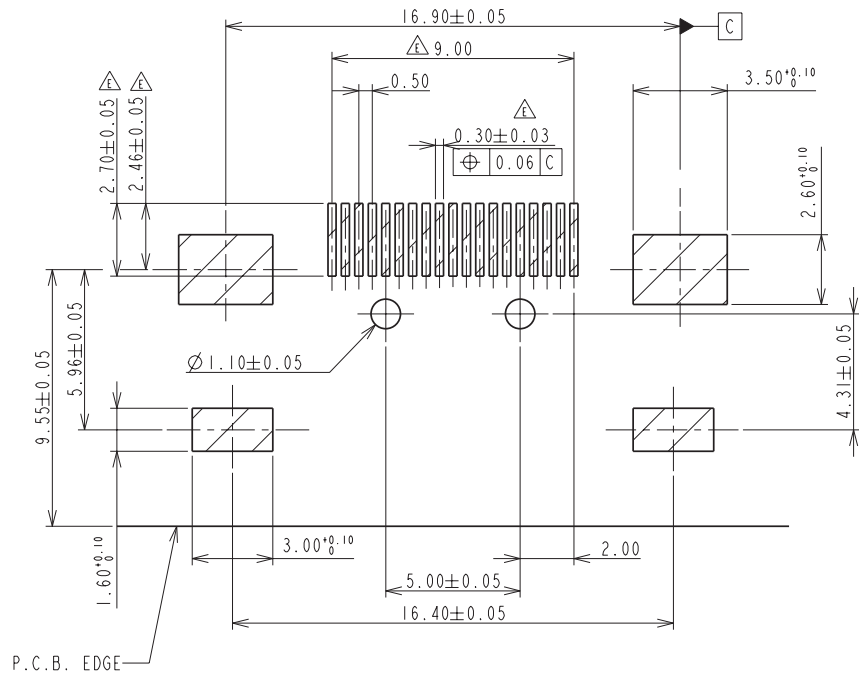
Coplanarity is 0.10mm MAX.
(All contact & shell hold down)



DETAIL A
SCALE 8:1

5	MYLAR	1		POLYESTER FILM
4	INSULATOR	1		HI-TEMP.G.F., UL 94V-0
3	SHORT CONTACT	9		COPPER ALLOY / Au PLATED
2	LONG CONTACT	10		COPPER ALLOY / Au PLATED
1	SHELL	1		COPPER ALLOY / Ni PLATED
ITEM	NAME	Q'TY	PART #	MATERIAL / FINISH
TOLERANCES UNLESS OTHERWISE SPECIFIED		DRAWN	DATE	
GENERAL X: ±0.38		ABER	07/28/03	
.X ±0.25		DESIGN	DATE	
.XX ±0.13		ABER	07/28/03	
.XXX ±0.05		CHECKED	DATE	TITLE
ANGLES X°: ±3.0°		WENSON	09/03/03	HDMI RECP 19 POS
.X° ±0.5°		APPROVED	DATE	R/A SMT TYPE I, W/ FLANGE
.XX° ±0.2°		WENSON	09/03/03	HDMI-R1-SF1G2-R
SCALE 4:1		UNIT	mm	SIZE A3
SHEET 1 OF 2		CUSTOMER DRAWING		REV. H

1 2 3 4 5 6 7 8



PRINTED CIRCUIT BOARD (PCB) LAYOUT
RECOMMENDED PCB THICKNESS IS 1.60mm

Material Specification;

- Insulator; Hi Temp thermoplastic, UL94V-0. Black
- Contacts; Copper Alloy, Nickel 50u" min. underplated overall
Contact area: 30u" Au plated
Solder tail; Sn-Cu plated 100-150u"
- Shell; Copper Alloy, Nickel 30u" min plated

A

B

C

D

E

F

TOLERANCES UNLESS OTHERWISE SPECIFIED GENERAL X ±0.38 .X ±0.25 .XX ±0.13 .XXX ±0.05 ANGLES X° ±3.0° .X° ±2.0° .XX° ±1.0°	DRAWN ABER DATE 07/28/03	
	DESIGN DATE ABER 07/28/03	
SCALE 4:1	CHECKED WENSON DATE 09/03/03	SIZE A3 REV. H
SHEET 2 OF 2	APPROVED WENSON DATE 09/03/03	
UNIT mm	CUSTOMER DRAWING	HDMI-R1-SF1G2-R