

HSF

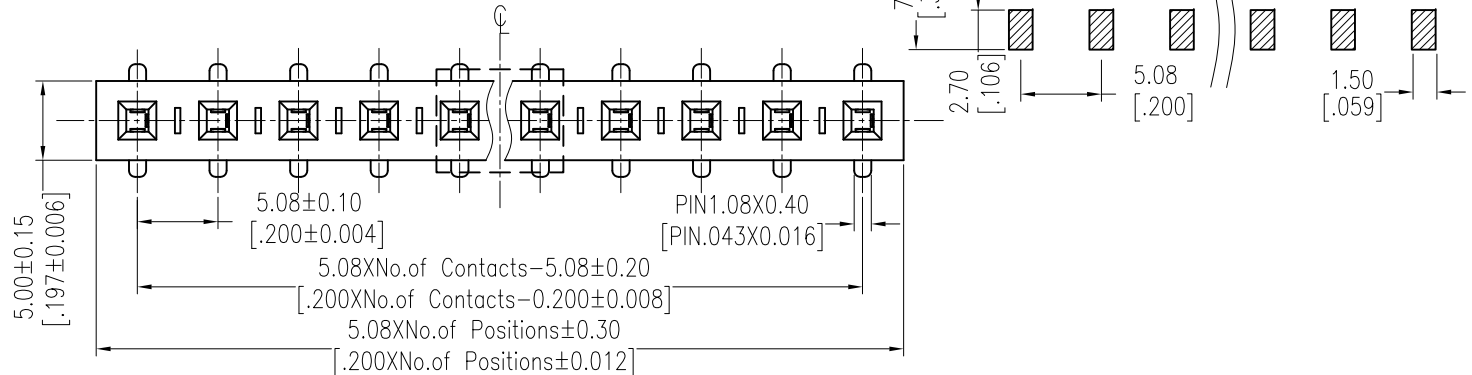
ROHS COMPLIANT

NOTES:

Rated Current:7.0AMP
 Contact Resistance:30mΩ max
 Withstand Voltage:1000V AC/DC
 Insulation Resistance:1000MΩ min
 Operation Temperature:-40°C to +105°C

Contact Material:Phosphor Bronze
 Contact Plating:Sn Over Ni
 Insulator Material:LCP+30%G.F UL94V-0

Recommended P.C.B Layout(Top Side)
 (PCB BOARD TOLERANCE±0.05)

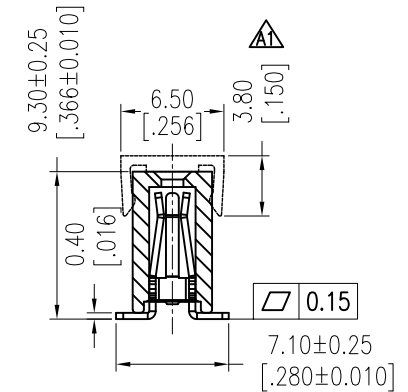
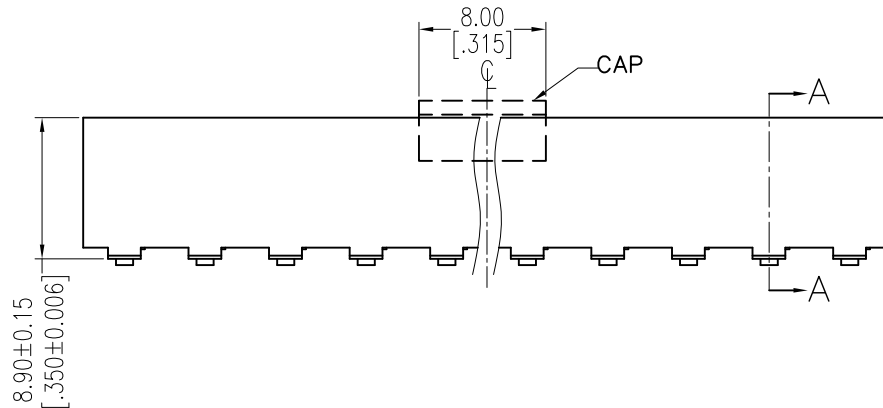


ORDER CODE:

FHSS xx T6S - 8.9 UP

No contacts:
02-20

Packaging:
UP - tube + cap
TP - T&R + cap



SECTION "A-A"

REV	DATE	MODIFICATION DESCRIPTION	CHANGE	OPERATION	DRAW	DATE	SCALE	FIT	PART NO.
A2	2017/06/08	Modify		X.X ±0.40	Surong Xu	2017/06/08	UNIT	mm	FHSSxxT6S-8.9UP
A1	2013/06/17	Modify CAP 4.30 → 3.80		X.XX ±0.25	CHECK	DATE	SIZE	A4	TITLE: FH5.08 SINGLE SMT H=8.9
AO	2012/07/14	NEW	-----	X.XXX ±0.15	APPROVE	DATE	SHEET	1/1	Customer NO.
				Angle ± 3'			PROJ.		
				DIM TOL					



GTK UK Ltd