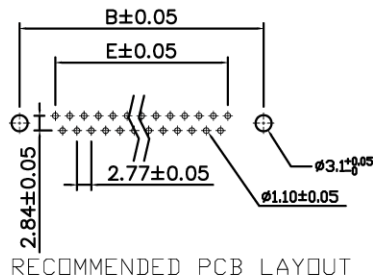
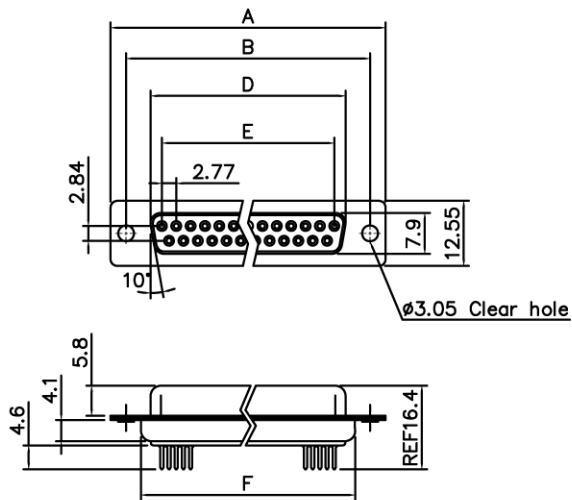


RoHS COMPLIANT

REVISIONS				
REV	ECN NO.	DESCRIPTION	APPROVED BY	DATE
A			ELTON MENG	



Product Specification
 Material
 Insulator : Glass-Filled Thermoplastic PBT,UL94V-0
 Contact : Brass
 Shell : Steel, 100u" Tin Over 50u" min Copper

Electrical
 Contact Resistance : 20 milliohms
 Max at 1 AMP DC.
 Insulation Resistance : 1000 megohms at 500 VDC
 Dielectric Withstanding Voltage :
 1000 VAC/rms 60Hz for 1 minute
 Current Rating : 3 AMP
 Volatge Rating : 250 VAC/rms 60Hz

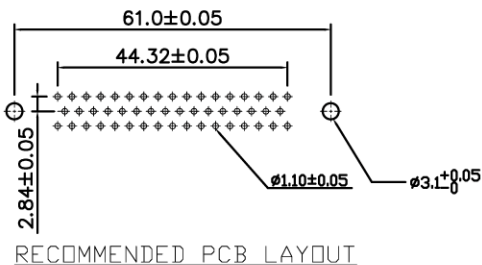
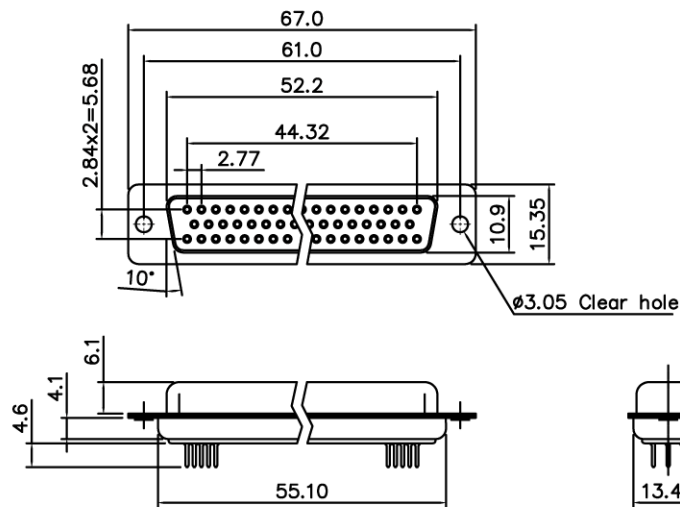
DIMENSION TABLE

POSITIONS	A±0.15	B±0.10	D±0.13	E±0.08	F±0.10
9	30.81	24.99	16.33	11.08	19.20
15	39.20	33.30	24.70	19.39	27.70
25	53.05	47.04	38.40	33.24	41.10
37	69.40	63.50	54.80	49.86	57.30

ORDER CODE;

DxSxxSTW2NS-R

Shell size & No positions;
 DEL09 - 9 pos
 DAL15 - 15 pos
 DBL25 - 15 pos
 DCL37 - 37 pos



50 POSITIONS

DO NOT SCALE DRAWING

DIMENSIONS: <input type="checkbox"/> MM [INCH] <input type="checkbox"/> INCH [mm] <input checked="" type="checkbox"/> MM ONLY		CAD GENERATED DRAWING, DO NOT MANUALLY UPDATE			
UNLESS OTHERWISE SPECIFIED, GENERAL TOLERANCE: DECIMALS ANGLES X. ±0.38 [0.015] X* ±3° .X ±0.25 [0.010] .X* ±1.0° .XX ±0.13 [0.005]		DRAWN BY AND DATE JUSTIN XING 04-29-02			
MATERIAL		CHECKED BY AND DATE JUSTIN XING 04-29-02		DRAWING NO. DxSxxSTW2NS-R	
FINISH		APPROVED BY AND DATE KING CHIU 04-29-02		REV A	
SCALE: 1 : 1		THIRD ANGLE PROJECTION		FILE NO.:	
SIZE: A3				SHEET 1 OF 1	