



# Order Information

**C 2 F Y E 9 0 - 6 X X 5 0 X -R**

USB+RJ45 Stacked  
W/ LED & Magnetics

Model

0: Side Entry (Regular LED)

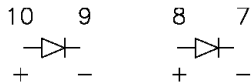
LED Code

F: LED2 (left) = green/orange  
LED1 (right) = yellow

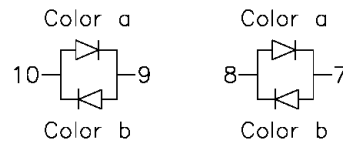
Contact Plating  
1: 6u" Gold

Schematic  
1 : Schematic B21

Single Color LED



Bi-Color LED



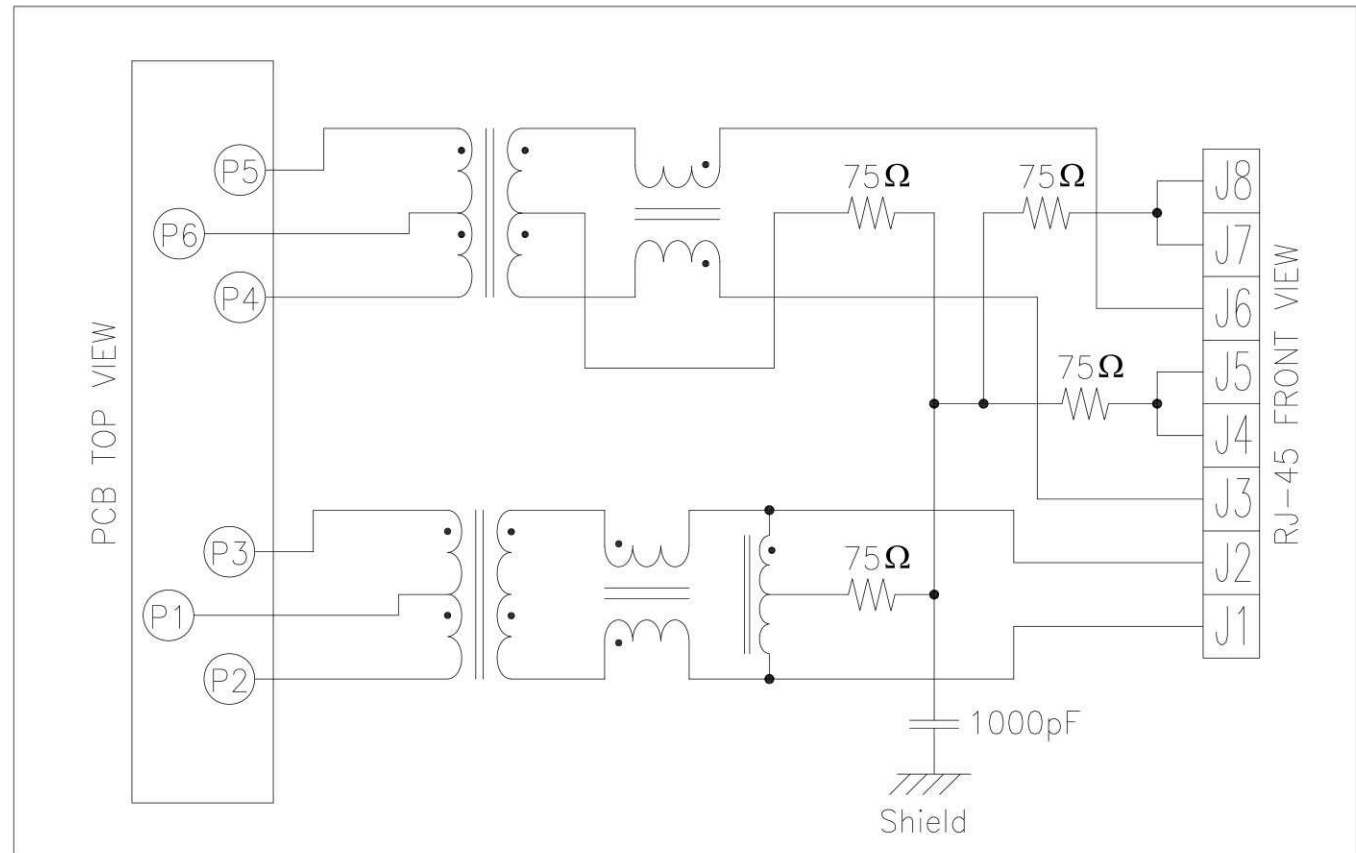
LED 2 Left LED	Color	LED 1 Right LED	Color	Part No. Code
Yes	Yellow	Yes	Green	1
Yes	Green	Yes	Yellow	2
Yes	Green	Yes	Green	3
Yes	Green	Yes	Red	4
Yes	Red	Yes	Green	5
No	Blank	Yes	Green	6
Yes	Yellow	No	Blank	7
Yes	Yellow	Yes	Yellow	8
Yes	Orange/Green	Yes	Orange/Green	9
Yes	Yellow/Green	Yes	Yellow/Green	A
Yes	Orange/Green	Yes	Yellow	B
Yes	Green	No	Blank	C
Yes	Yellow	Yes	Red	D
Yes	Red/Green	Yes	Red/Green	E
Yes	Green/Orange	Yes	Yellow	F
Yes	Orange/Green	Yes	Green	G
Yes	Green	Yes	Red/Green	H
Yes	Red	Yes	Red	J
Yes	Green	Yes	Orange/Yellow	K
Yes	Yellow/Orange	Yes	Green	L
Yes	Red	Yes	Yellow	M
Yes	Yellow/Green	Yes	Green	N
Yes	Blank	No	Yellow/Green	P
Yes	Orange/Green	Yes	Red	Q
Yes	Yellow	Yes	Yellow/Green	R
Yes	Green	Yes	Orange	U

Bi-Color LED Definition: Color a/Color b



TITLE RJ45+USB STACK W/ LED & MAGNETICS (RoHS)		OPEN TOLERANCES Fraction Decimals Angles X ±0.50 ±1° XX ±0.25 XXX ±0.10	DWG. Kote 11/27/14'		
PART NO. C2FYE90-6F1501-R	REV. B		SCALE 2:1	SHEET 2 of 2	APPD. Justin 11/27/14'
REF. NO.	QA. NO.				A New Release 10/07/14'
					REV. DESCRIPTION DATE

# Schematic B21



## 10/100 MB ELECTRICAL CHARACTERISTICS @ 25°C

Isolation Voltage(Input to Output): 1500 Vrms

Turns Ratio: TX 1CT:1CT ±5% ; RX 1CT:1CT ±5%

Insertion Loss: -1.2dB Max. @100KH-100MHZ

Return Loss:

1-30MHz	30-60MHz	60-80MHz
-18dB	-14dB	-12dB

(Min.)

Differential to Common Mode Rejection:

1-100MHz
-30dB (Min.)

Cross Talk:

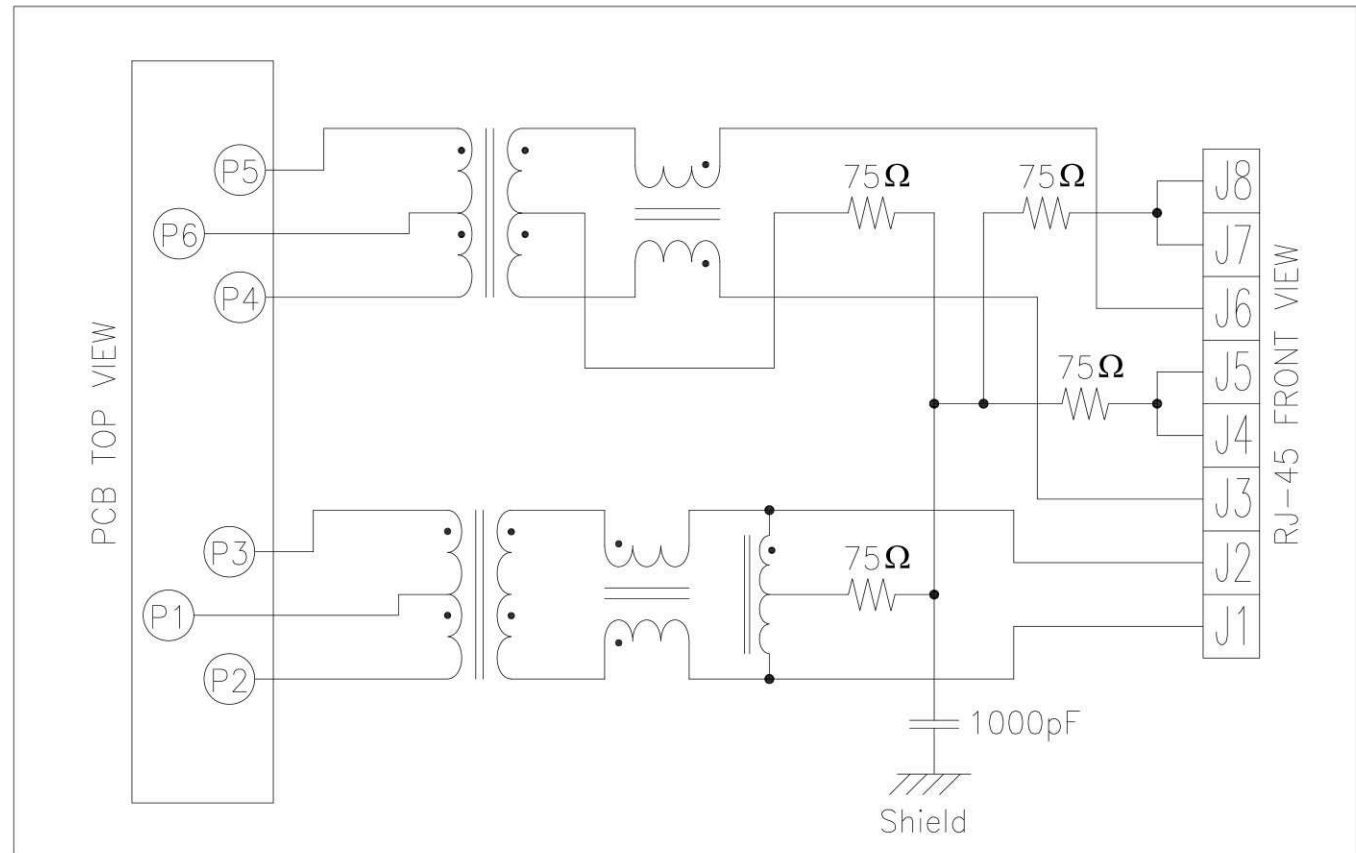
1-100MHz
-30dB (Min.)

Inductance: 350uH Min with 8mA DC Bias, @100KHz/100mV



TITLE		OPEN TOLERANCES		DWG.			
Filter Schematic B21 Type		Fraction	Decimals	Kate 10/09/14'			
		All Dimensions in mm [Inch]		CKD. Justin 10/09/14'			
PART NO. C2FYE90-6F1501-R		SCALE 1:1		APPD. Justin 10/09/14'			
REV. A		SHEET 1 of 1					
REF. NO.		QA. NO.					
						A	New Release
						REV.	DESCRIPTION
							DATE

# Schematic B21



## 10/100 MB ELECTRICAL CHARACTERISTICS @ 25°C

Isolation Voltage(Input to Output): 1500 Vrms

Turns Ratio: TX 1CT:1CT ±5% ; RX 1CT:1CT ±5%

Insertion Loss: -1.2dB Max. @100KH-100MHZ

Return Loss:

1-30MHz	30-60MHz	60-80MHz
-18dB	-14dB	-12dB

(Min.)

Differential to Common Mode Rejection:

1-100MHz
-30dB (Min.)

Cross Talk:

1-100MHz
-30dB (Min.)

Inductance: 350uH Min with 8mA DC Bias, @100KHz/100mV



TITLE		OPEN TOLERANCES		DWG.			
Filter Schematic B21 Type		Fraction	Decimals	Kate	10/09/14'		
		All Dimensions in mm [Inch]		CKD.	Justin	10/09/14'	
PART NO.	REV. A	SCALE 1:1	SHEET 1 of 1	APPD.	Justin	10/09/14'	A New Release 10/09/14'
REF. NO.		QA. NO.		REV.		DESCRIPTION	DATE